

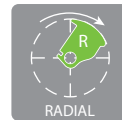
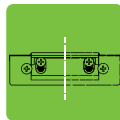
45/44 Series

Symmetric electric lock

The 45 Series is noted for being symmetrical and reversible.

The 44 Series, besides being symmetrical and reversible like the Series 45, and with the exact same dimensions, is distinctive in that the latch rotates radially.

- Symmetrical
- Reversible
- Radial latch (Series 44)

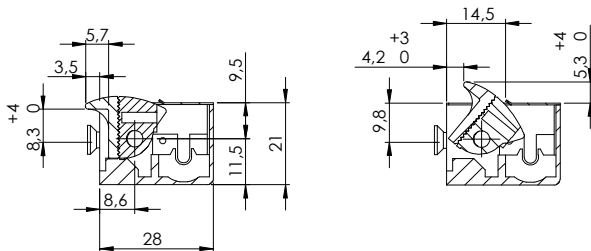
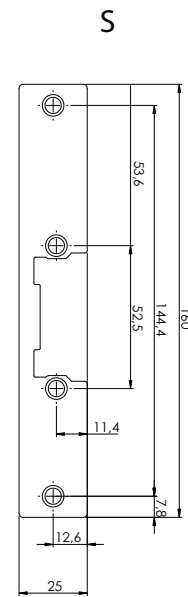
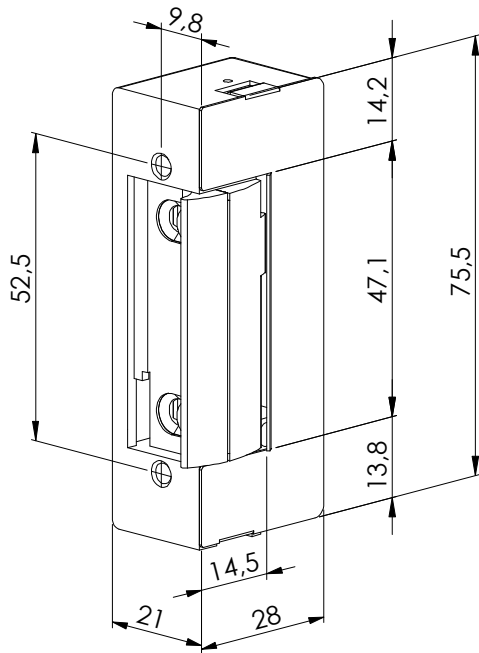


Technical Features

	Serie 45			Serie 44				
Height	75,5 mm							
Width	21 mm							
Depth	28 mm							
Adjustable Jaw Range	4 mm			+1-1 mm				
Suits Latches With Maximum Throw Of	5,7 mm			5,1 mm				
Endurance Cycles Test In-plant	300.000							
Holding Force	3.250 N / 330 kg-f			3.450 N / 350 kg-f				
Operating Temperature Range	-15 °C to +40 °C							
Diode Or Varistor	Optional							
	6-12 V	8-12 V	24 V	12 VDC (412)	24 VDC (424)	12 VDC (512)	24 VDC (524)	
Rated Resistance (Ω)	8	17	58	30	45	132	60	230
AC Current Consumption (mA)	600 (6V) 1200 (12V)	370 (8V) 560 (12V)	330					
Stabilized DC Current Consumption (mA)	750 (6V) 1500 (12V)	470 (8V) 700 (12V)		400 vdc contr.ated	260 vdc contr.ated	180 vdc contr.ated	200 vdc contr.ated	120 vdc contr.ated
Continuously Operating Voltage Range In VDC (V)			-	11-12	11-12	23-24	11-12	23-24
Max. Latch Preload AC (N)	Serie 45 400 (12V)	-	-	-	-	-	-	-
	Serie 44 300 (12V)							

Casing

Recommended striking plate



- Grey painted finish
- Stainless steel

	NORMAL	STANDARD AUTOMATIC	INVISIBLE AUTOMATIC	TIMED AUTOMATIC	SLIDING AUTOMATIC	INVERTED	SWITCHED	UNBLOCKING	ADJUSTABLE *	WORKING VOLTAGE
4502	✓							✓	✓	V AC
4503		✓							✓	V AC
4504		✓						✓	✓	V AC
4507	✓								✓	12V DC
4513						✓			✓	12V DC
4537				✓					✓	12V DC

* By regulating screws in latch

Must write 44xx instead of 45xx for 44 Series