

Series 87

Electric lock for Glass Doors

The series 87 is made up of a hinged door latch for frame installation without door lock to be installed into single glass panes up to 12 millimeters thick.

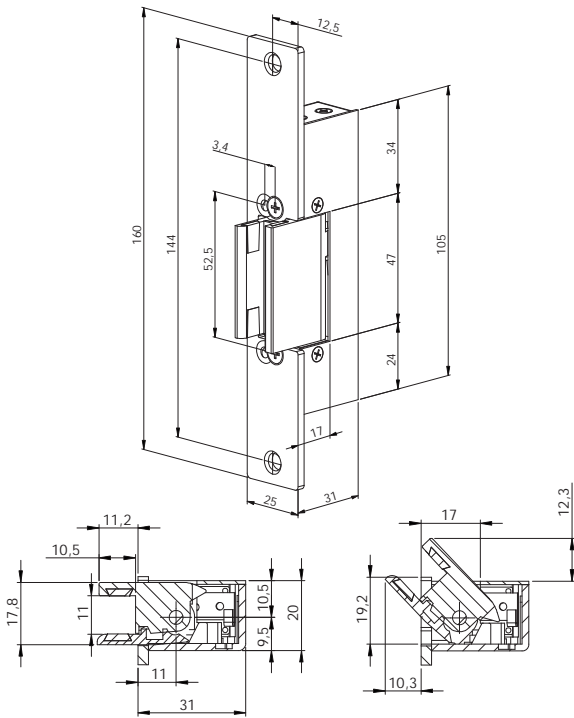
- Glass door frame glass panes up to 12 mm thick
- Does not require mechanical lock
- Easy installation



Technical Features

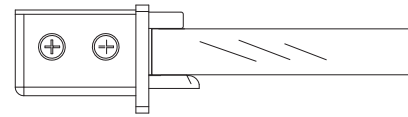
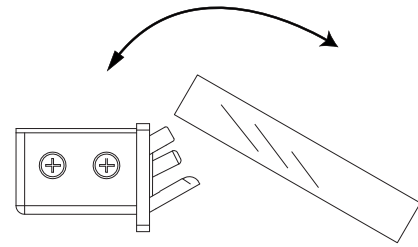
Height	105 mm							
Width	20 mm							
Depth	28 mm							
Adjustable Jaw Range	-							
Suits Latches With Maximum Throw Of	11,2 mm							
Endurance Cycles Test In-plant	250.000							
Holding Force	2.550 N / 260 kg-f							
Operating Temperature Range	-15 °C to +40 °C							
Diode Or Varistor	Optional							
	8-12 V		24 V		12 VDC (412)	24 VDC (424)	12 VDC (512)	24 VDC (524)
Rated Resistance (Ω)	8	17	30	58	68	132	70	230
AC Current Consumption (mA)	800 (8V)	370 (8V)		330				
	1200 (12V)	560 (12V)						
Stabilized DC Current Consumption (mA)	1000 (8V)	470 (8V)	260 (8V)		180	180	150	120
	1500 (12V)	700 (12V)	400 (12V)		cont. rated	cont. rated	cont. rated	cont. rated
Continuously Operating Voltage Range In VDC (V)			-	-	11-12	23-24	11-12	23-24
Max. Latch Preload AC (N)	100 (12V)	-	-	-	-	-	-	-

Casing



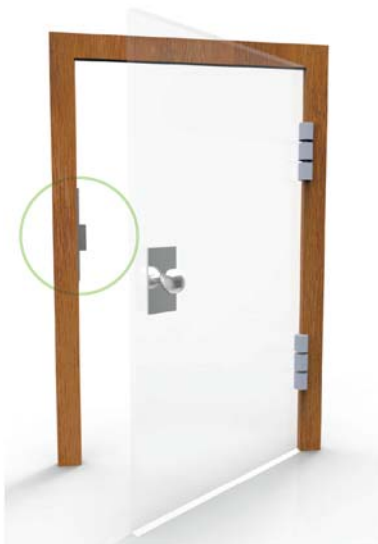
Installation on side frame

Attachment



Stainless steel

Installation on upper frame



- NORMAL
- STANDARD AUTOMATIC
- INVISIBLE AUTOMATIC
- TIMED AUTOMATIC
- SLIDING AUTOMATIC
- INVERTED
- SWITCHED
- UNBLOCKING
- ADJUSTABLE *
- WORKING VOLTAGE

8727



12V DC

* By regulating screws in latch