

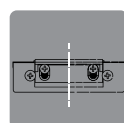
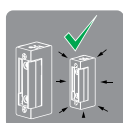
# Series 99

## Multi-voltage electric strike mechanism



Our most versatile, next generation, series of electric door strikes has reduced dimensions (only 25.5mm deep) that allow the Series 99 to be installed in any door jamb, including modern aluminium and PVC profiles.

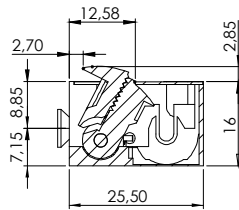
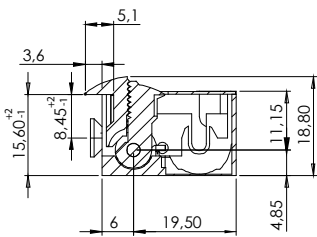
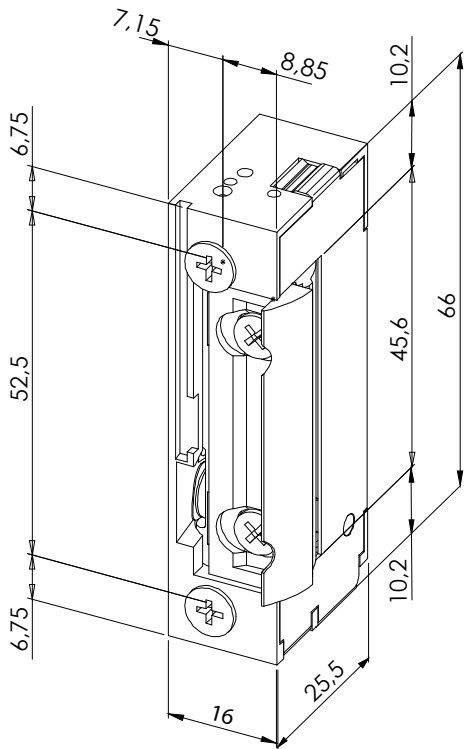
The Series 99's coil has optimum performance in both AC and DC installations permitting a range of voltages from 10v to 24v



- Multi-voltage
- AC & DC Operation
- Reduced dimensions
- Radial latch
- Symmetric design
- Reversible
- EN 14846 certified

	10-24 V	6-12 V	8-12 V	24 V	24 VDC (424)	12 VDC (512)	24 VDC (524)
Rated Resistance (Ω)	43	8	17	58	132	51	160
AC Current Consumption (mA)	175 (10V)	600 (6V)	370 (8V)	330			
	250 (12V)	1200 (12V)	560 (12V)				
	500 (24V)						
Stabilized DC Current Consumption (mA)	230 (10V)	750 (6V)	470 (8V)		180 Vdc contr. rated	235 Vdc contr. rated	150 Vdc contr. rated
	280 (12V)	1500 (12V)	700 (12V)				
	560 (24V)						
Continuously Operating Voltage Range In VDC (V)	11-13			-	23-24	11-12	23-24
Max. Latch Preload AC (N)	250N (12V)	-	-	-	-	-	-
	360N (24V)	-	-	-	-	-	-
Max. Latch preload DC (N)	55N (12V)	-	-	-	-	-	-
	220N (24V)	-	-	-	-	-	-

# Casing

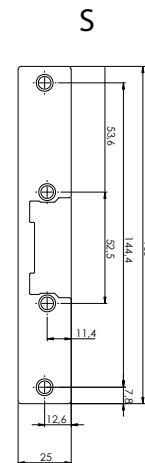


- Grey painted finish
- Stainless steel

# Technical Features

Height	66 mm
Width	16 mm
Depth	25,5 mm
Adjustable Jaw Range	+2-1 mm
Suits Latches With Maximum Throw Of	5,1 mm
Endurance Cycles Test In-plant	400.000
Holding Force	3.230 N / 330 kg-f
Operating Temperature Range	-15 °C to +40 °C
Diode Or Varistor	Optional
Microswitch	Optional

# Recommended striking plate



NORMAL    
 STANDARD AUTOMATIC    
 INVISIBLE AUTOMATIC    
 TIMED AUTOMATIC    
 SLIDING AUTOMATIC    
 INVERTED    
 SWITCHED    
 UNBLOCKING    
 ADJUSTABLE \*    
 WORKING VOLTAGE

9901	✓							✓	10-24V AC/DC
9902	✓			✓				✓	10-24V AC/DC
9938				✓				✓	10-24V AC/DC
9939				✓				✓	10-24V AC/DC
9913					✓			✓	12V DC
9932	✓					✓		✓	10-24V AC/DC
9934					✓	✓		✓	12V DC

\* By regulating screws in latch