

# Z3104/08XER-CL | 3100 series

4/8 Channel Penta-brid 1080P Lite Plastic Digital Video Recorder



## Features

- H.264 Decoding
- Support AHD/TVI/CVI/CVBS/IP Video Input
- Support HDMI Up To 1080P Output
- Support 4/8CH 1080P Lite Resolution Preview and Playback
- Cloud Service, P2P
- Mobile phone remote monitoring (iOS, Android)
- Multi-browser access (IE, Chrome, Firefox, Safari)



## System Overview

ZKTeco Z3100 XER-CL series DVR could deliver up to excellent 1080P lite resolution image over advanced H.264 compression. It's the ideal consideration for the balance of quality, performance and budget.

The friendly GUI provides intuitive shortcut operations, remote control and management, flexible storage, smart search and playback. It's widely used for the government, banking sectors, manufacturers, educational or commercial projects.

Powered by the strong interoperability and Onvif Profile S, it's compatible with a variety of 3rd party crossing platform VMS.

## Functions

### 4-in-1 Auto Detection

It could detect the camera signal automatically without settings, true plug and play for AHD/TVI/CVI/CVBS.

### Long Distance Transmission

Powered by leading HD Videoloss technology, it supports up to 500m/800m transmission over RG59/RG6 coaxial cables separately.

### AntarView Cloud Service

Flexibly and remotely monitor at anytime or anywhere with AntarView APP.

## Technical Specification

Model	Z3104XER-CL	Z3108XER-CL
-------	-------------	-------------

### System

Processor	Multi-core Embedded Processor
Operation System	Embedded Linux

### Display

Interface	1 HDMI, 1 VGA
OSD	Camera Title, Time, Video Loss, Motion Detection, Recording

### Video Detection and Alarm

Linkaged Events	Alarm Out, Linkage Record, Snapshot, PTZ Linkage, Tour, Show Message, Buzzer, Send Email, FTP, Upload Cloud, Push Alarm
Motion Detection	MD Zones: 396 (22 x 18)
Alarm Input	N/A
Alarm Output	N/A

### Playback and Backup

Playback Channel	4	8
Search Mode	Time/Date, MD and Exact Search, Smart Search	
Playback Function	Play, Pause, Stop, Rewind, Fast Play, Slow Play, Next Camera, Previous Camera, Full Screen, Shuffle, Backup Selection, Digital Zoom	
Backup Mode	USB Device/Network	

### Interface and Storage

Network Interface	1 RJ-45 port (10/100Mbps)
HDD	1 SATA, up to 10TB capacity for each HDD
USB	2 x USB 2.0

### Audio and Video

Analog Camera Input Channel	4	8
Two-way Talk	1 Channel Input, 1 Channel Output, RCA	

### Recording

Video Compression	H.264	
Recording Resolution	720P/1080P Lite	
Incoming Bandwidth	24Mbps	48Mbps
Record Mode	Manual, Schedule, Motion Detection, Video Loss, Privacy Mask, VQD, IVA	

### Network

Network Protocol	HTTP, TCP/IP, IPV4, UDP, RTSP, DHCP, FTP, PPPOE, NTP, UPnP, P2P, DDNS, SMTP
Max. Online User	20
Mobile App	Antarview (iOS & Android)
Interoperability	Onvif Profile S, SDK

### Electrical

Power Supply	DC 12V2A
Consumption	6W without HDD

### Environmental

Working Temperature	0 °C ~+55 °C
Working Humidity	10~90%

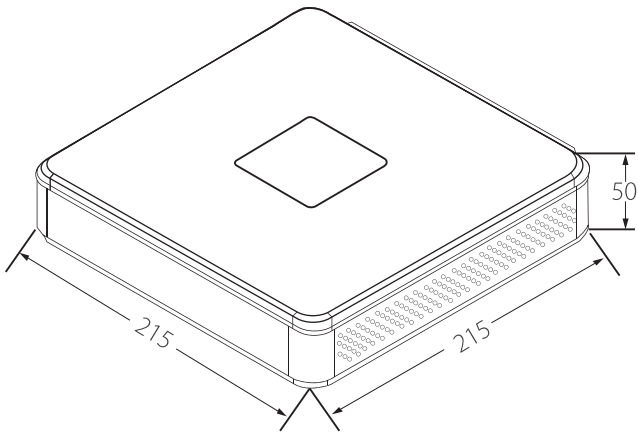
### Construction

Dimensions	215mm x 215mm x 50mm
Net Weight	0.6KG
Gross Weight	1.1KG

### Ordering Information

Type	Part Number	Description
Plastic 1080P DVR	Z3104XER-CL	4 Channel 1 SATA DVR
	Z3108XER-CL	8 Channel 1 SATA DVR

### Dimensions (mm)



### Rear Panel

