

Series 46

British / American electric lock



The 46 Series are locks especially made to fit ANSI type doors, reduced size, symmetrical and reversible, distinguishable by the depth and length of the bolt. Ideal for British and American door fixtures. It has added lateral protection that impedes manipulation from the exterior. Several frames available.

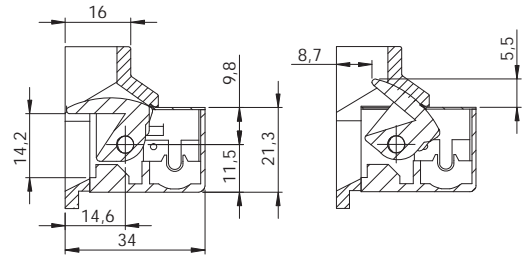
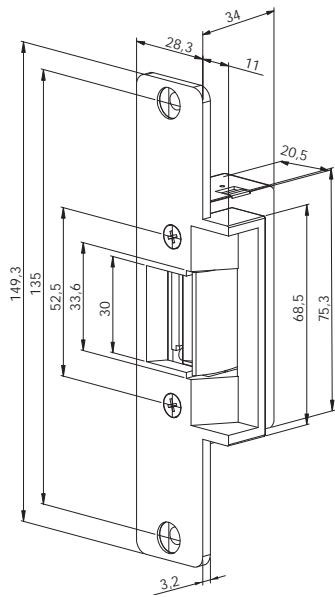
With a body length of 75 mm, it is primarily intended for tubular locks.



- For American and British doors
- Extended latches
- Deeper latches
- For metal frames
- Available in reinforced version

	8-16 V	24 V	14-24 V	12VDC (412)	24 VDC (424)	12 VDC (512)	24 VDC (524)
Rated Resistance (Ω)	17	58	45	68	132	58	230
AC Current Consumption (mA)	370 (8V)	330					
	750 (12V)						
Stabilized DC Current Consumption (mA)	470 (8V)		260	180 Vdc	180 Vdc	200 Vdc	120 Vdc
	940 (12V)			cont.rated	cont.rated	cont.rated	cont.rated
Continuously Operating Voltage Range In VDC (V)	11-13	-	11-12	11-12	23-24	11-12	23-24
Max. Latch Preload AC (N)	200 (12V)	-	-	-	-	-	-

Casing



■ Grey painted finish

Technical Features

Height	75,3 mm
Width	39,3 mm
Depth	34 mm
Adjustable Jaw Range	-
Suits Latches With Maximum Throw Of	14,6 mm
Endurance Cycles Test In-plant	300.000
Holding Force	3.450 N / 350 kg-f
Operating Temperature Range	-15 °C to +40 °C
Diode Or Varistor	Optional
Microswitch	-

	NORMAL	STANDARD AUTOMATIC	INVISIBLE AUTOMATIC	TIMED AUTOMATIC	SLIDING AUTOMATIC	INVERTED	SWITCHED	UNBLOCKING	ADJUSTABLE *	WORKING VOLTAGE
4621	✓									12VDC
4627					✓					12VDC

* By regulating screws in latch