

Series 47

British / American electric lock

The 47 Series are locks especially made to fit ANSI type doors, reduced size, symmetrical and reversible, distinguishable by the depth and length of the bolt. Ideal for British and American door fixtures.

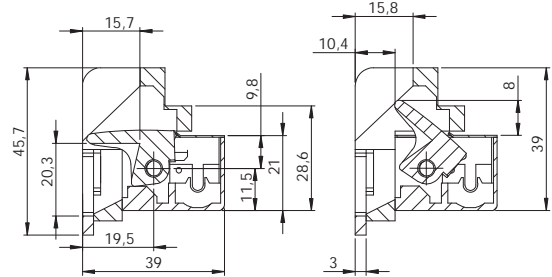
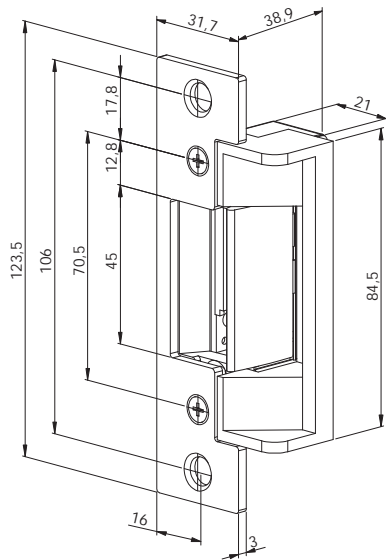
It has added lateral protection that impedes manipulation from the exterior. Several frames available.



- For American and British doors
- Extended latches
- Deeper latches
- For metal frames
- Available in reinforced version

	8-16 V	24 V	14-24 V	12VDC (412)	24 VDC (424)	12 VDC (512)	24 VDC (524)
Rated Resistance (Ω)	17	58	45	68	132	58	230
AC Current Consumption (mA)	370 (8V)	330					
	750 (12V)						
Stabilized DC Current Consumption (mA)	470 (8V)		260	180 Vdc	180 Vdc	200Vdc	120 Vdc
	940 (12V)			cont.rated	cont.rated	cont.rated	cont.rated
Continuously Operating Voltage Range In VDC (V)	11-13	-	11-12	11-12	23-24	11-12	23-24
Max. Latch Preload AC (N)	400 (12V)	-	-	-	-	-	-

Casing



Stainless steel

Technical Features

Height	84,5 mm
Width	45,7 mm
Depth	39 mm
Adjustable Jaw Range	-
Suits Latches With Maximum Throw Of	15,7 mm
Endurance Cycles Test In-plant	300.000
Holding Force	3.450 N / 350 kg-f Reinforced Version 4.400 N / 450 Kg-f
Operating Temperature Range	-15 °C to +40 °C
Diode Or Varistor	Optional
Microswitch	Optional

	NORMAL	STANDARD AUTOMATIC	INVISIBLE AUTOMATIC	TIMED AUTOMATIC	SLIDING AUTOMATIC	INVERTED	SWITCHED	UNBLOCKING	ADJUSTABLE *	WORKING VOLTAGE
4707	✓								✓	12 VDC
4713						✓			✓	12 VDC
4733	✓						✓		✓	12 VDC
4734						✓	✓		✓	12 VDC

* By regulating screws in latch