

# Series 62

## Waterproof electric lock



Series 62 is waterproof, dustproof and complies with IP65 certification. It is designed to ensure optimal performance of the lock in adverse environmental conditions.

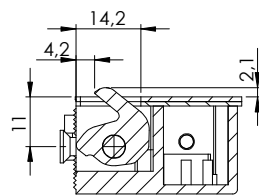
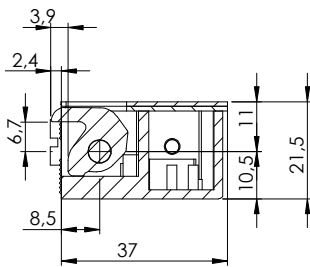
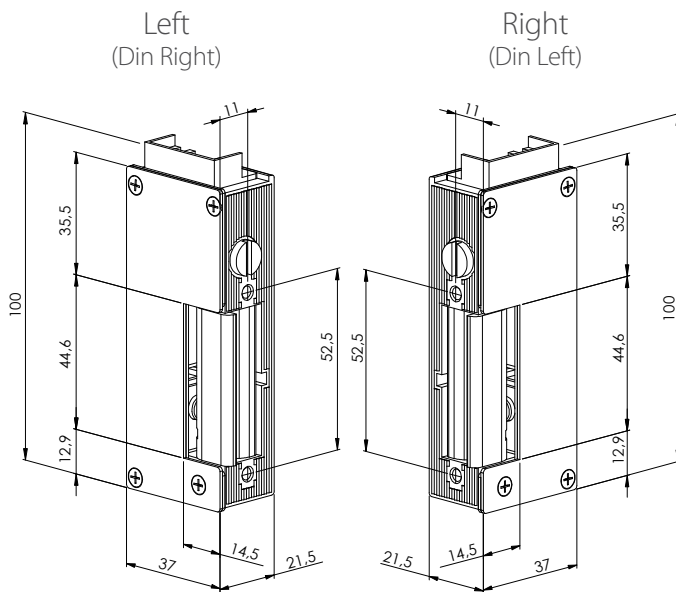
The mechanism box is protected by a seal and an internal partition; thus, insulating the lock from water and dust. This model can incorporate, in turn, a manual release in the shape of a turning knob.



- IP65
- Waterproof , dustproof
- Nonreversible
- Protected by a seal.
- Suitable for outdoor installations and saline environments.

	8-12 V		24 V	12 VDC (412)	24 VDC (424)
Rated Resistance (Ω)	8	17	58	68	132
AC Current Consumption (mA)	800 (8V)	370 (8V)	330		
	1200 (12V)	560 (12V)			
Stabilized DC Current Consumption (mA)	1000 (8V)	470 (8V)		180 Vdc cont. rated	180 Vdc cont. rated
	1500 (12V)	700 (12V)			
Continuously Operating Voltage Range In VDC (V)			-	11-12	23-24
Max. Latch Preload AC (N)	120 (12V)	-	-	-	-

# Casing

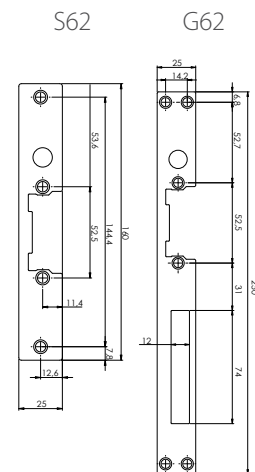


- Grey painted finish
- Stainless steel

# Technical Features

Height	100 mm
Width	21,5 mm
Profundo	37 mm
Adjustable Jaw Range	-
Suits Latches With Maximum Throw Of	7,7 mm
Endurance Cycles Test In-plant	300.000
Holding Force	3.900 N / 400 kg-f
Operating Temperature Range	-15 °C to +40 °C
Diode Or Varistor	Optional

# Recommended striking plate



	NORMAL	STANDARD AUTOMATIC	INVISIBLE AUTOMATIC	TIMED AUTOMATIC	SLIDING AUTOMATIC	INVERTED	SWITCHED	UNBLOCKING	ADJUSTABLE *	WORKING VOLTAGE
6216R	✓							✓		V AC
6216L	✓							✓		V AC
6221R	✓									12V DC
6221L	✓									12V DC
6227R						✓				12V DC
6227L						✓				12V DC

\* By regulating screws in latch