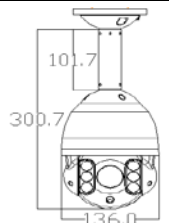
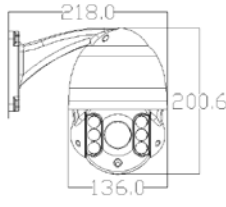
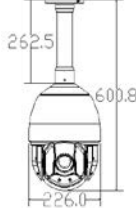

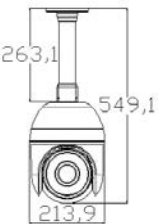
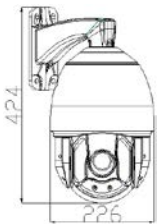
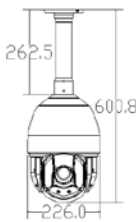
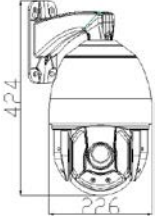


Quick Operation Guide

Analog PTZ

Version:1.0

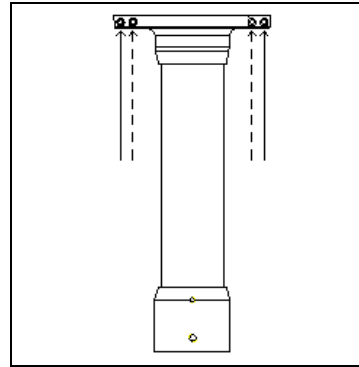
1. Dimension

	Pendant	Wall
P46		
P66		
P67		
P68		

2. Installation

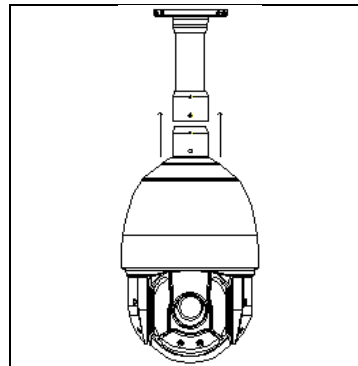
2.1 Ceiling mount

1. Like picture 2.1-1, drill holes and fix bracket onto the ceiling floor with 4 pcs bolts.



Picture 2.1-1

2. Like picture 2.1-2, fasten the dome to the bracket with 3pcs bolts.

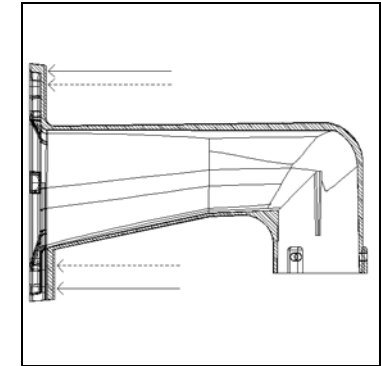


Picture 2.1-2

2.2 Wall mount

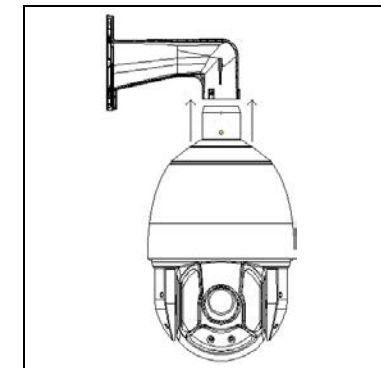
1. Like picture 2.2-1, drill holes and fix bracket onto the ceiling floor with 4

pcs bolts.



Picture 2.2-1

2. Like picture 2.2-2, fasten the dome to the bracket with 3pcs bolts.



Picture 2.2-2

3. Precaution

1. Please use the suitable power supply unit, power supply unit info reference cable label or color box label.
2. The installation place must have enough weight tolerance
3. Under demanded environment, using this dome

4. Dome baudrate and ID setting

4.1 Dome ID setting

4.1.1 Call preset, dome ID setting

1. Call any preset from 101 to 116 twice within 3 seconds, corresponding dome ID from 1 to 16, restart the dome, to make ID setting work. If dome ID is over 16, use the below instructions.

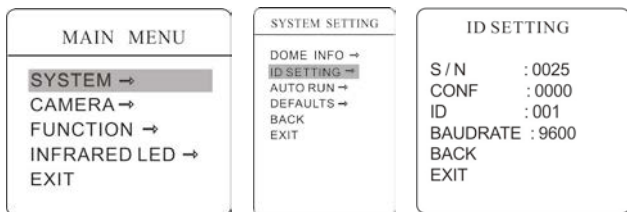
4.1.2 OSD menu set dome ID

1. Call 95 preset or call 9 preset twice within 3 seconds, to enter into **【MAIN MENU】**.

2. Operate the joystick up and down and move the cursor to **【SYSTEM】**, like picture 4.1.2-1, press **【OPEN】** or right operate the joystick, to enter into **【SYSTEM SETTING】**, move cursor to **【ID SETTING】**, press **【OPEN】** or right operate the joystick, to enter into **【ID SETTING】**, like picture 4.1.2-2.

3. Operate the joystick and move cursor to **【CONF】**, press **【OPEN】** or right operate the joystick, activate the match between CONF and S/N, operate the joystick, set CONF same as S/N, press **【OPEN】** or right operate the joystick, to exit S/N and CONF match, like picture 4.1.2-3.

4. Operate the joystick and move cursor to **【ID】**, press **【OPEN】** or right operate the joystick, activate the ID setting, operate the joystick, set dome ID directly. Restart the dome, to make the ID setting work.



Picture 4.1.2-1

Picture 4.1.2-2

Picture 4.1.2-3

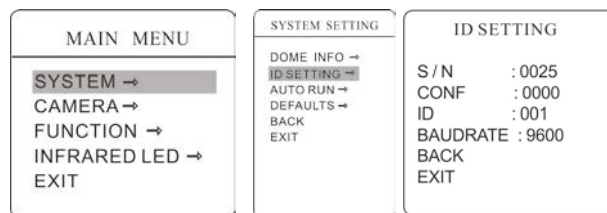
4.2 Set Dome baudrate

1. Call 95 preset or call 9 preset twice within 3 seconds, to enter into **【MAIN MENU】**.

2. Operate the joystick up and down and move the cursor to **【SYSTEM】**, like picture 4.2-1, press **【OPEN】** or right operate the joystick, to enter into **【SYSTEM SETTING】**, move cursor to **【ID SETTING】**, press **【OPEN】** or right operate the joystick, to enter into **【ID SETTING】**, like picture 4.2-2.

3. Operate the joystick and move cursor to **【CONF】**, press **【OPEN】** or right operate the joystick, activate the match between CONF and S/N, operate the joystick, set CONF same as S/N, press **【OPEN】** or right operate the joystick, to exit S/N and CONF match, like picture 4.2-3.

4. Operate the joystick and move cursor to **【BAUDRATE】**, press **【OPEN】** or right operate the joystick, activate baudrate setting, right operate the joystick, to set baudrate directly. Restart the dome, to make the baudrate setting work.



Picture 4.2-1

Picture 4.2-2

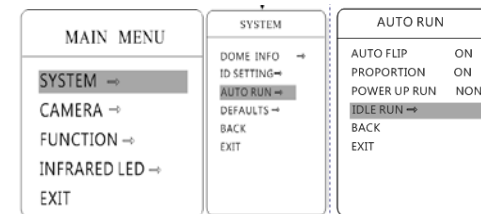
Picture 4.2-3

5. Quick set auto-run tour

5.1 Quick auto-run is based on tour/pattern/scan function have been set, here take Tour1 as example.

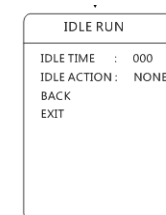
5.2 Set power up action and idle run

Call 95 preset, to enter into the main menu as below picture:



Move cursor to **【POWER UP RUN】**, change **【NONE】** as **【TOUR1】**, exit the menu. Restart the dome, to auto-run *TOUR1*

Move cursor to **【IDLE RUN】**, to enter the menu as below:



IDLE TIME means the auto-run idle time, IDLE ACTION means auto-run function, for example: set *IDLE TIME* as 003, and set *IDLE ACTION* as TOUR1, dome will auto-run TOUR1 after 3 minutes' no manual operation.

Other operations, please see the manual.

