

AMT-PVM-10 Near-Infrared Light Palm Module



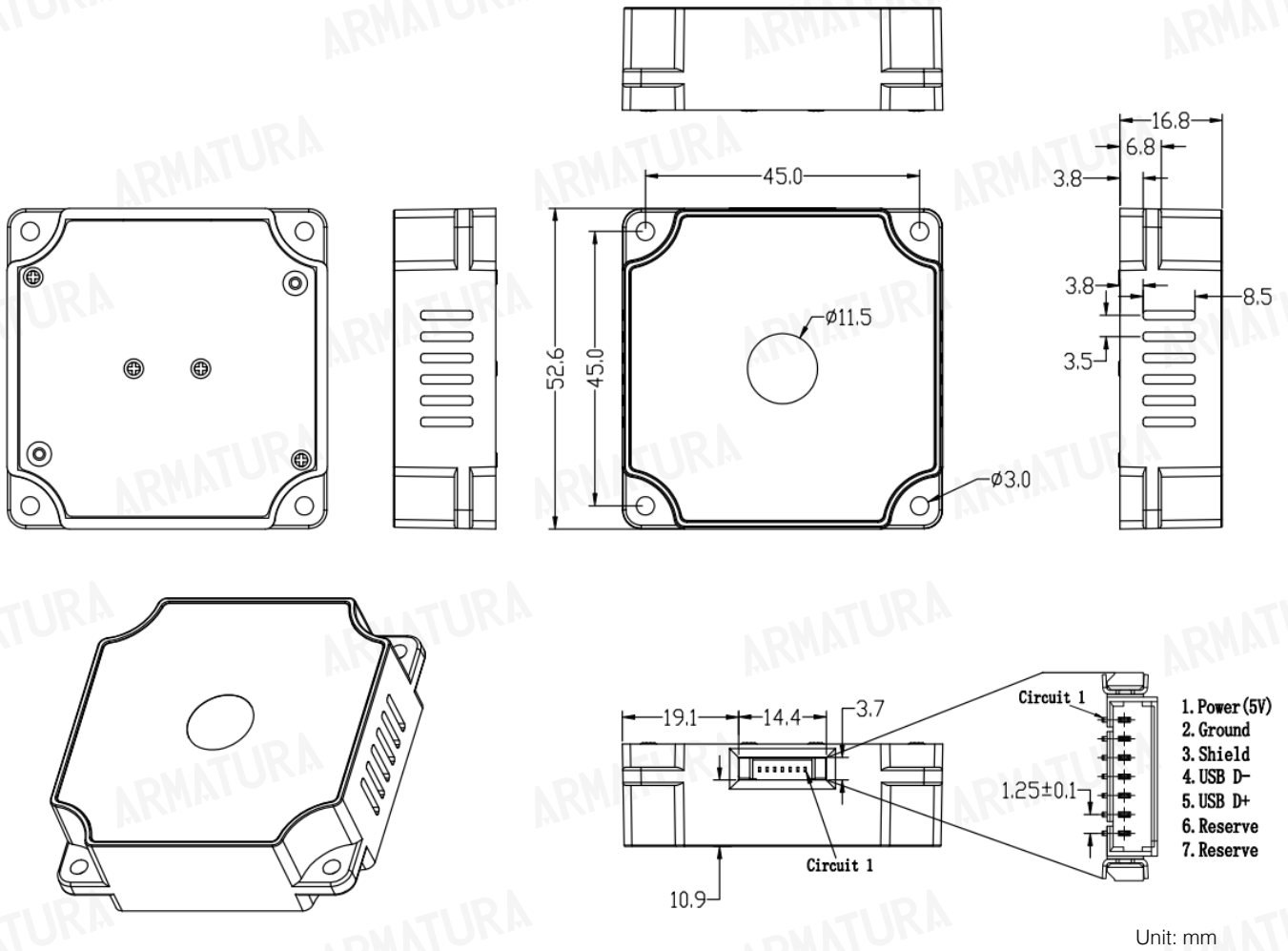
Overview

- AMT-PVM-10 is a single-lens Near-Infrared (NIR) light camera module which captures grayscale palm print images and subcutaneous palm vein pattern images used for biometric recognition.
- AMT-PVM-10 module takes enhanced auto exposure approach with built-in Infrared LED to ensure superior palm image quality in varying indoor and most outdoor environments.
- Palm vein patterns are unique and life-long invariable to each person, invisible to human eyes, and formed by active blood flowing in live tissues. Its image can be captured only by special Infrared camera like AMT-PVM-10 module which delivers highly secure anti-spoofing protection for user authentication.
- Wide field-of-view of the module lens makes palm enrollment and authentication fast and simple for individuals having varying heights.
- The built-in HDR sensor offers the module longer palm-read-range up to 15 inches.
- Single 2-in-1 USB 2.0 cable provides both data communication and power to the module.
- Light-weight, compact size makes the module adaptable to various host devices, such as time clocks, physical access control devices, turnstile, lockbox, point of sales terminals, ATM devices, and more.
- 100% hands-free user experience. The module provides a simple, natural, hygienic, non-invasive, and stress-free way for identity authentication. This is utmost important to prevent the spread of virus when the device is used in public.
- Compared with face recognition technologies, palm-based biometric recognition has less privacy concern, can be more easily accepted by users. It provides an ideal alternative biometric solution where face recognition is heavily concerned.
- For price-conscious customers, the hardware module and Armatura PalmLite SDK together provide a cost-effective biometric identification solution.

Software Development Kit (SDK)

- The module is supported by Armatura PalmLite SDK.
- PalmLite SDK supports Windows, Android and Linux (on request) systems.
- PalmLite SDK provides fast and easy integration to most applications, reducing time to market.
- For more information on SDK, please refer to PalmLite SDK brochure.

Module Dimensions and Connection PIN Specifications



General Information	
Interface	USB 2.0
Power Supply	DC 5.0V/400mA
Power Consumption	≤0.85 W (standby); ≤2.0W (operation)
Operating Temperature	-10°C ~ 45°C / 14°F ~ 113°F
Storage Temperature	-20°C to 80°C / -4°F ~ 176°F
Operating Humidity	0 ~ 90% RH
Dimensions (L*W*H)	52.6(L) * 52.6(W) * 18.1(H) mm (±1mm)
SDK	Armatura PalmLite SDK 12.0
Certification	CE, FCC, RoHS, WHQL

Sensor	
CMOS	1/2.7" HDR CMOS Sensor
Dynamic Range	83 dB
Optical Wavelength	850 nm
Image Type	256 Grayscale Levels
Default Output Format	MJPEG
Distortion Rate	≤1%
Field of View	Horizontal: 37°; Vertical: 48°; Diagonal: 58°
Image Resolution	480W * 640H
Maximal Frame Rate	25 fps
Recognition Distance	15 cm ~ 35 cm / 6 inch ~ 14 inch

ARMATURA



Address: 190 Bluegrass Valley Parkway, Alpharetta, GA 30005

Phone: +1 (470) 816-1970

Email: armatura@zkteco.eu

Website: www.zkteco.eu/armatura

Copyright © 2022 Armatura LLC @ ARMATURA, the ARMATURA logo, are trademarks of Armatura