

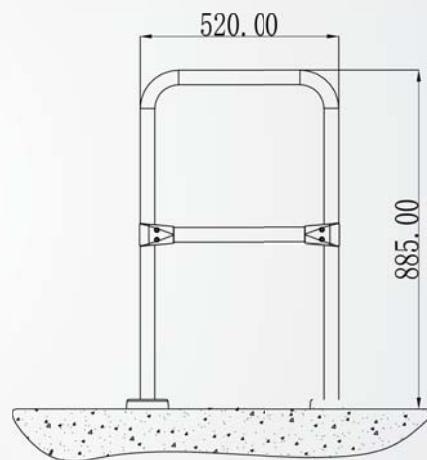
# Entrance Control Handrail Accessories

The handrail is affordable, low maintenance and easy-to-install. They can be used in all types of applications. The product is often used at store front entries in conjunction with turnstiles. Other typical uses include creating permanent queue lines and dividing or controlling access to "off-limits" areas.



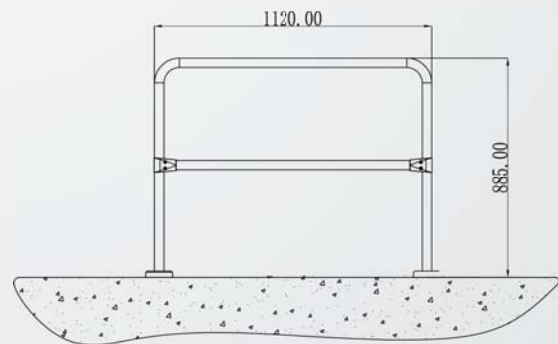
R10

Stainless steel post and rail



R20

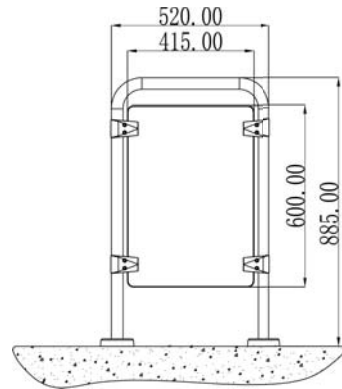
Stainless steel post and rail





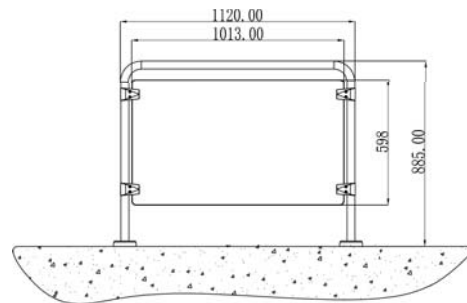
R30

Stainless steel post and rail for tempered glass (Glass not included)



R40

Stainless steel post and rail for tempered glass (Glass not included)



R50

Stainless steel post. The tempered glass will be prepared according to the dimension on the site by installer.  
(Glass not included)

