

Biometric Full Height Turnstile

FHT2300: Full Height Turnstile

FHT2311: Full Height Turnstile with RFID Access Control System

FHT2322: Full Height Turnstile with Fingerprint and RFID Access Control System

Semi-automatic
mechanism

Visible indicator

SUS304 stainless
steel cabinet

Modular design



Application



Industrial facility



Corporate security



Government security

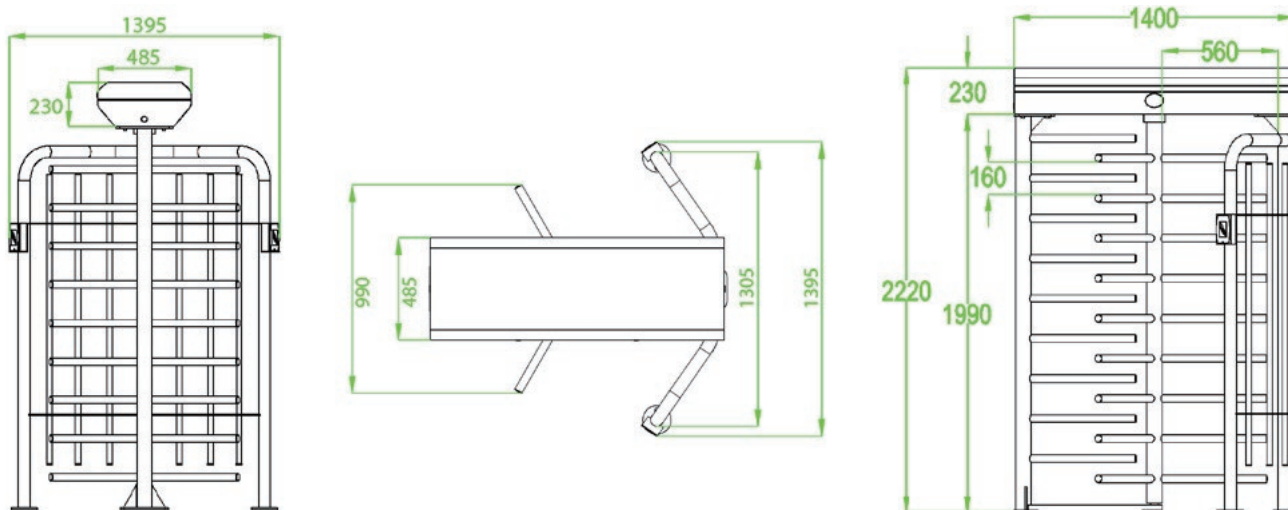


Public transportation

Specifications

| | | |
|--------------------------------|---------------------------|-------------------|
| Power Requirements | AC110V/220V, 50/60Hz | |
| Working Temperature | -28°C to 60°C | |
| Working Humidity | 25% to 75% | |
| Working Environment | Indoor/Outdoor | |
| Speed of Throughput | RFID | Maximum 20/minute |
| | Fingerprint | Maximum 15/minute |
| Lane Width | 560 mm | |
| Footprint (L*W) | 1400*1395(mm) | |
| Dimension (L*W*H) | 1400*1395*2220 (mm) | |
| Dimension with Packing (L*W*H) | 1520*1200*2320(mm) | |
| Net Weight (kg) | 220kg | |
| LED Indicator | Supports | |
| Cabinet material | SUS304 Stainless Steel | |
| Barrier Material | SUS304 (optional: SUS316) | |
| Barrier Movement | Rotating | |
| Emergency Mode | Supports | |
| Security Level | High | |
| MCBF | 1 million | |
| Ingress Protection | IP54 | |
| Warranty | 1 year | |

Dimensions (mm)



To prevent the corrosion of stainless steel, we recommend not to use in highly corrosive environments, such as sea-side, chemical plants and saline-alkali soils.

