

Biometric Full Height Turnstile

FHT2300: Full Height Turnstile

FHT2311: Full Height Turnstile with RFID Access Control System

FHT2322: Full Height Turnstile with Fingerprint and RFID Access Control System

Semi-automatic
mechanism

Visible indicator

SUS304 stainless
steel cabinet

Modular design



Application



Industrial facility



Corporate security



Government security

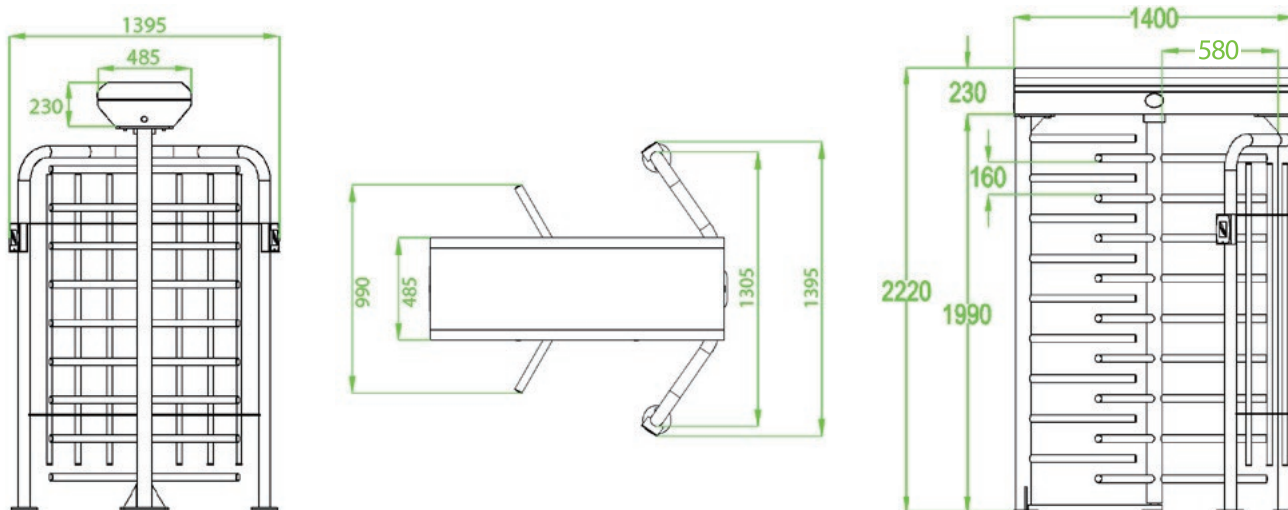


Public transportation

Specifications

Power Requirements	AC110V/220V, 50/60Hz	
Working Temperature	-28°C to 60°C	
Working Humidity	25% to 75%	
Working Environment	Indoor/Outdoor	
Speed of Throughput	RFID	Maximum 20/minute
	Fingerprint	Maximum 15/minute
Lane Width	580 mm	
Footprint (L*W)	1400*1395(mm)	
Dimension (L*W*H)	1400*1395*2220 (mm)	
Dimension with Packing (L*W*H)	1520*1200*2320(mm)	
Net Weight (kg)	220kg	
LED Indicator	Supports	
Cabinet material	SUS304 Stainless Steel	
Barrier Material	SUS304 (optional: SUS316)	
Barrier Movement	Rotating	
Emergency Mode	Supports	
Security Level	High	
MCBF	1 million	
Ingress Protection	IP54	
Warranty	1 year	

Dimensions (mm)



To prevent the corrosion of stainless steel, we recommend not to use in highly corrosive environments, such as sea-side, chemical plants and saline-alkali soils.

