

# inPulse+

## Multi-Biometric Finger Vein Standalone Access Control Terminal



**inPulse+** is a multi-biometric reader capable of capturing and processing finger vein and fingerprint biometric data at the same time. Ergonomic, intuitive and highly secured, inPulse+ leads us to a new era of enhancing security with biometrics. Its infra-red rays illuminate the vein pattern which is then converted into a biometric template. Both the vein and fingerprint templates are then stored in the database for subsequent matching.

# Features



Modern Design & Interactive UI



Dual Finger Vein & Fingerprint Authentication



Multiple Verification Modes:  
Finger Vein / Fingerprint /  
Card / Password



Simple Management & Scalability



TFT-LCD Color Touch Screen



# Specifications Ⓞ: GL Exclusive Feature

## Capacity

- Ⓞ Finger Veins 1,500
- Ⓞ Fingerprints 1,500
- Cards 2,000
- Transactions 100,000

## Communication

- Ⓞ TCP/IP
- USB Host
- Wiegand Input / Output
- Security Relay Box

## Access Control Interface

- Lock Relay Output
- Alarm Output / Auxiliary Input
- Exit Button / Door Sensor
- Doorbell Output

## Hardware

- Ⓞ 1.2GHz High Speed CPU
- Ⓞ Memory 128MB RAM / 256MB Flash
- ZK Fingerprint Sensor
- Ⓞ 2.8 Inches TFT-LCD Touch Screen
- 125KHz EM Reader / Mifare (Optional)
- Hi-Fi Voice & Indicator
- Tamper Switch Alarm

## Standard Functions

- Access Levels / Groups / Holidays
- DST / Bell Schedule
- Duress Mode (Password)
- Anti-Passback
- Record Query
- Custom Wallpaper & Screen Saver

## Special Functions

- Ⓞ Multiple Biometric Verification Modes
- ZK Encrypted Card (Optional)

## Compatibility

- Wiegand Slave Reader
- ZKBioSecurity Software

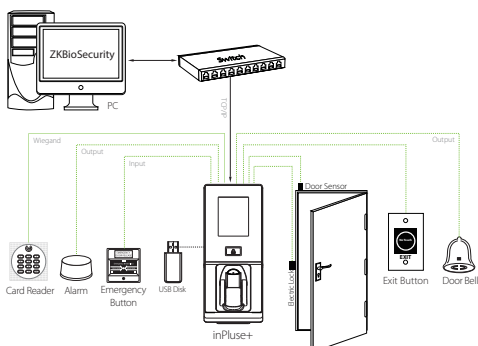
## Additional Info

- Working Temperature: -10 °C ~ 50 °C
- Dimensions: 201.7 × 85 × 102.7 mm.
- ZKVein v3.0 & ZKFinger v10.0 Algorithms
- Finger Vein & Fingerprint: FAR ≤ 0.0001%
- FRR ≤ 0.01%
- Package Includes 12V 3A Power Supply

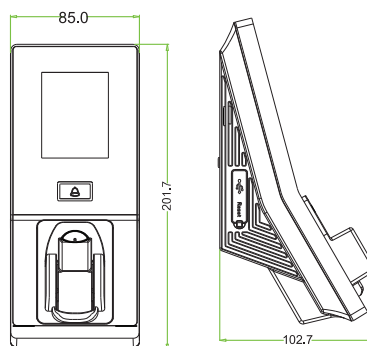
## Power

- Operating Voltage 12V DC
- Current Draw < 500mA

# Configuration



# Dimensions (mm)



ZKTeco Europe  
www.zkteco.eu  
E-mail: sales@zkteco.eu



© Copyright 2016, ZKTeco Inc. ZKTeco Logo is a registered trademark of ZKTeco or a related company. All other product and company names mentioned are used for identification purposes only and may be the trademarks of their respective owners. All specifications are subject to change without notice. All rights reserved.