

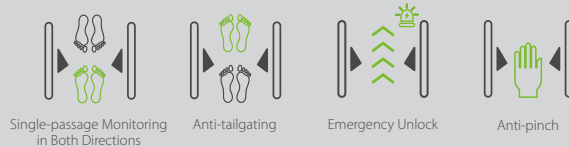


Mars Pro-F1200 Series

Mars Pro-F1200 Dual-Lane Flap Barrier Turnstile

Mars Pro-F1211 Dual-Lane Flap Barrier Turnstile
(w/ controller and RFID reader)

Mars Pro-F1222 Dual-Lane Flap Barrier Turnstile
(w/ controller and fingerprint & RFID readers)



Highly Durable and Low Maintenance Costs

- Modularized structure design
- Exposed mounting holes for easy installation
- Mainly made of SPCC (option: SUS316 stainless steel)

PGIC Controller

- Equipped with a PGIC controller
- Access control
- General features and parameters settings on the controller's menu

LED Indicator

- Visual cues for correct walking direction
- Clear guidance with green and red illustration

Switchable Reader Panel

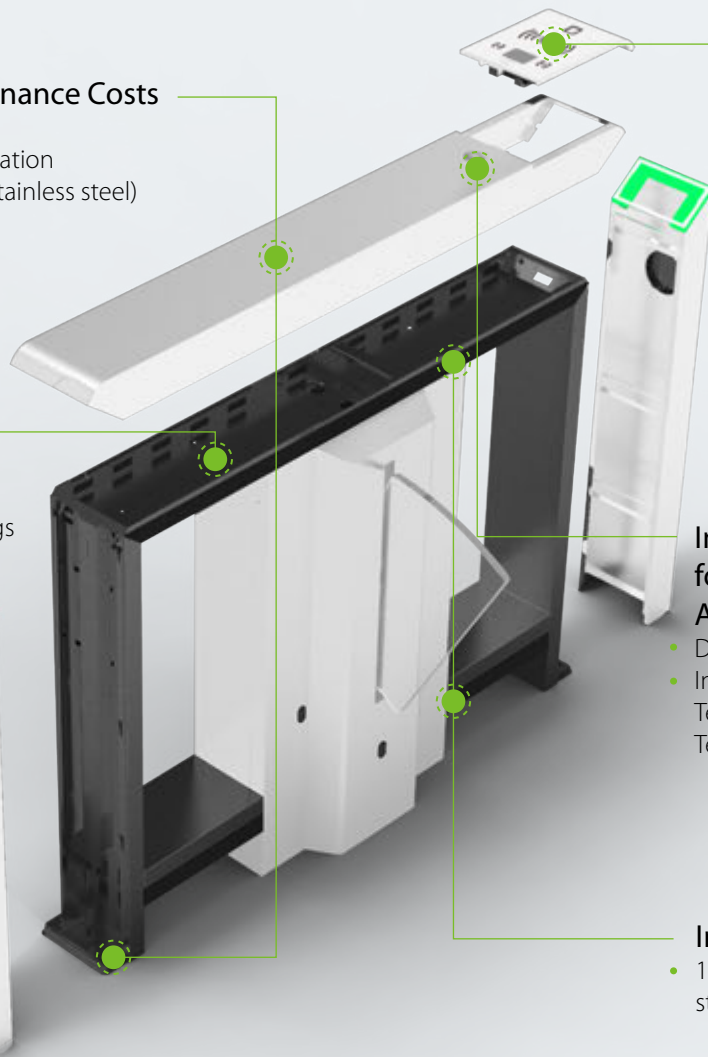
- Six panels available:
 - RFID only
 - RFID & Fingerprint
 - RFID & QR Code
 - RFID & Fingerprint & QR Code
 - RFID & Card Slot
 - RFID & Card Slot & QR Code
- Reducing middlemen's inventory pressure
- Reducing installation time & expenses

Installation Place for Facial Recognition A&C Terminals

- Diameter: 34mm
- Integration with Facial Recognition, Temperature and Mask Detection Terminals

Infrared Sensors

- 16 pairs of infrared sensors for stronger tailgating detection



Specifications

| Model | Mars Pro - F1200 Series |
|-----------------------------------|--------------------------------------------------|
| Power Requirements | AC100V to 120V / 200V to 240V, 50 to 60Hz |
| Working Power | 50W; 22W (stand-by) |
| Drive Unit | Brushless Motor |
| MCBF | 10 millions |
| Technical Throughput Rate | Up to 60 people per minute |
| Barrier Movement | Retract |
| Noise | <60dB |
| Infrared Sensor | 16 pairs |
| LED Indicator | Support |
| Working Temperature | -25°C to 65°C |
| Working Humidity | 20% to 95% (non-condensing) |
| Working Environment | Indoor / Outdoor (if sheltered) |
| Lane Width | 600mm |
| Dimensions (L*W*H) | 1360 * 180 * 1010 (mm) (±5mm) |
| Dimensions with Packaging (L*W*H) | 1510 * 365 * 1216 (mm) |
| Net Weight | 75kg (±5kg) |
| Gross Weight | 100kg (±5kg) |
| Cabinet Material | SPCC (option: SUS316 stainless steel) |
| Lid Material | Stainless steel (option: SUS316 stainless steel) |
| Barrier Material | Acrylic |
| Packing Material | Wooden case |
| Protection Level | IP34 |

Applications



Airports

Stations

Gyms

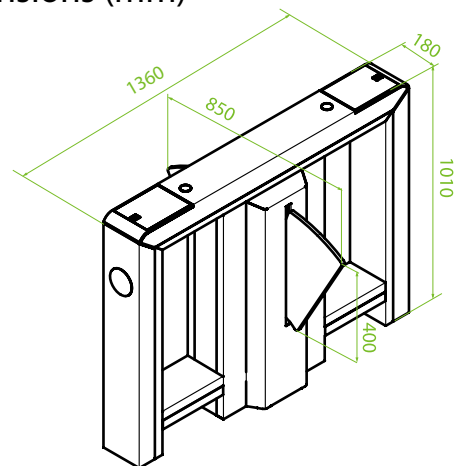


Government Buildings

Hotels

Banks

Dimensions (mm)



V6.0 2021.07.03