

ProMA Series

Outdoor Weatherproof Access Control Terminal

Robust Design with Full Spectrum of Authentication Options

Compatible with

 **ZKBio CVSecurity**



ProMA is a high-end outdoor multi-biometric access control standalone terminal built with ultra-robust aluminum alloy casted casing.

ProMA series enhance its protection level to reach water and dust proof standard (IP66) and vandal proof standard (IK07). There are three models under ProMA series, which have equipped with different authentication combinations, facial recognition, fingerprint recognition and multi-tech RFID recognition, named as ProMA-QR (Face+QR code+RFID), ProMA-RF (Face+RFID), ProMA (Face+Fingerprint+RFID). Additionally, the latest touchless palm recognition is also available in this terminal as a customized feature.

Despite its compact size, these terminal's authentication template capacity is top notch in the industry, which supports up to 10,000 fingerprint / 30,000 face / 5,000 palm / 50,000 RFID. Besides, the authentication speed of these terminals is stunning, facial recognition speed of less than 0.3 sec per face, touchless palm recognition performed in 0.35 per hand, and completed RFID recognition in 0.2 sec, all these incredible features making them a perfect choice for most application scenes.

The series supports the ZKTeco PUSH communication protocol and fully integrates with ZKBio CVSecurity and the latest hybrid biometric technology.

Features

- High strength Aluminum alloy casting casing with IK07 vandal proof structure, IP66 water and dust resistant
- Operating temperature from -26°C to 55°C, Storage temperature from -30°C to 65°C, suitable for extreme environment
- Full spectrum of authentication methods, support face / fingerprint / palm (Customized) / scramble QR Code / RFID card
- Supports up to 30,000 face / 10,000 fingerprint / 5,000 Palm (Customized) / 50,000 RFID card / 500,000 records.
- Supports IEEE 802.3af/at standard Power over Ethernet (external)
- Supports multiple RFID modules and up to 100+ card types (including, ID / IC / Legic / Desfire EV1 / EV2 / HID Prox. / HID iClass / etc.)
- Supports scramble QR Code as high security mobile credential via ZKBio CVSecurity App
- HD video door phone via ZSmart mobile App & SIP Protocol

- Supports ONVIF (Compatible with Profile S, Profile T, Profile G, Profile C, Profile Q & Profile A) for 3rd Party NVR /VMS integration to act as a surveillance camera
- Embedded web server for system configuration
- Fully complied with ZKCSBL (ZKTeco Cyber Security Base Line). Standard to provide advance protection
- Compatible with ZKTeco all-in-one security platform ZKBio CVSecurity

Specifications (GL Exclusive Feature)

Capacity

Fingerprint	10,000(Only ProMA)
Face	30,000(Optional: 50,000 only ProMA-QR & ProMA-RF)
Palm	5,000(Customized)
Cards	(Optional: 100,000 only ProMA-QR & ProMA-RF)
Transactions	500,000

- GL 1.0GHz Quad Core CPU
- GL Memory 1G RAM / 8G Flash
- Z-ID Fingerprint Sensor (Available on ProMA only)
- QR code Sensor (Available on ProMA-QR only)
- GL 2.0 Inches color TFT Monitor
- Hi-Fi Voice & Indicator Tamper Switch Alarm

Optional Functions

- GL PoE IEEE 802.3af / at(external)
- HID Proxy / iClass / multi-tech Card module
- GL Scramble QR code recognition (Supports: PDF417, Data Matrix, MicroPDF417, Aztec, available on ProMA-QR only)
- Communication
- 1* TCP/IP (TLS1.2, AES-256 end to end secured communication channel)
- 1* Wiegand input/Output
- GL 1*Standard RS485* / OSDP V2.1.7 over RS485 (AES-128, OSDP V2.1.7 Secured Channel)

* Note: RS485 is for RS485 readers.

Standard Functions

- GL On-board Web server function
- Access Levels / Groups / Holidays
- DST / Bell Schedule /14-digit User ID
- Duress Mode /Tamper Switch Alarm, Multiple
- Anti-Passback
- Record Query

Access Control Interface

- 1* Lock Relay Output
- 1* Alarm Output / Auxiliary Input
- 1* Exit Button / Door Sensor
- 1* Doorbell Output

Compatibility

- Security Relay Box: DM10
- Wiegand/ OSDP/ RS485 Slave Reader with FP / RFID / QR-code
- GL Software: ZKBio CVSecurity
- GL Mobile App: ZSmart
- GL SIP Protocol: VT07-B01

Special Functions

- GL IP66 (water & dust proof)
- GL IK07 (vandal proof)
- ≤0.3s High Speed Facial Recognition
- GL Fully complied with ZKCSBL (ZKTeco Cyber Security Base Line)
- GL Video intercom
- GL ONVIF Protocol (Compatible with Profile S, Profile T, Profile G, Profile C, Profile Q & Profile A)

Additional Info

- ZKFace v3.9& ZKFinger v10.0
- Armatura Palm Algorithms
- GL Operating Temperature: -26 °C to 55 °C (-14.80°Fto 131°F)
- Operating Humidity: ≤93%RH
- GL Storage Temperature: -30 °C to 65 °C (-22°F to 149°F)
- Storage Humidity: ≤93%RH
- Dimensions(W*H*D): 68.7*194.7*28.3mm
- Heavy duty aluminium alloy casing

RFID Module

- ID:EM05
- IC:iC08
- ID&IC:B133
- ID&IC&HID Prox/HID iclass:MTR30
- BLE/NFC(coming soon)

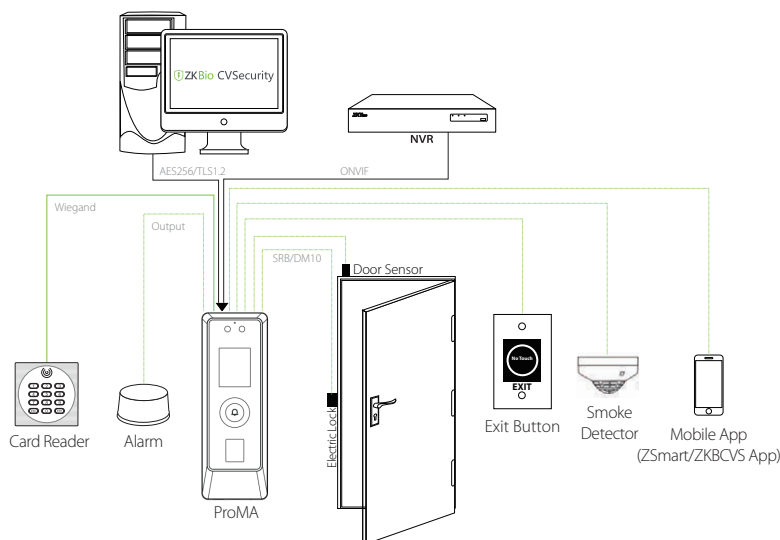
Power

- Operating Voltage: 12V DC
- Current Draw: < 550mA

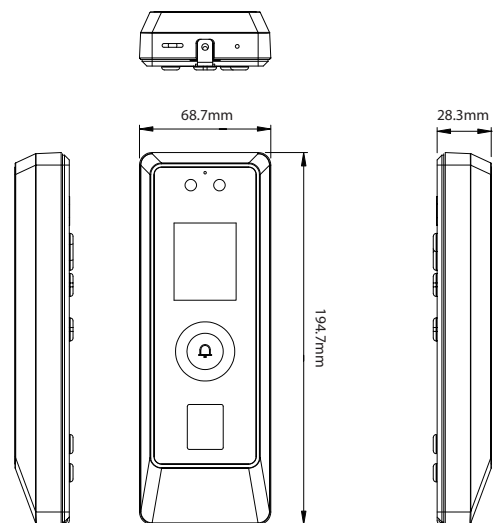
Customized Function

- Palm recognition

Configuration



Dimensions (mm)



V2.0 06/13/2024