

# PS-32A10B

2MP 10x 4 in 1 Analog PTZ



- 1/2.9" Low Light 1080P Sony Sensor
- Max 25/30fps@1080P Recording
- AHD/TVI/CVI/CVBS Video Output
- DWDR/BLC/2D&3D Noise Reduction



## System Overview

PS-32A series High speed dome is a range of competitive mini PTZ with compact design. The series is ideal for entry level choices for SMB solutions, such as buildings, factories, schools which are designed for indoor and outdoor

With pan speed up to 300°/s, and tilt speed up to 200°/s, promise a large video coverage and secured details.

## Functions

### Advanced 4 in 1 technology

PS-32A series is built in with advanced 4 in 1 technology, it's equipped with UTC chipset on board which could support to adjust HD analog signal output flexibly, such as AHD/TVI/CVI/CVBS. It's the final solution for true plug-n-play to work with any brand of HD analog DVR seamlessly.

### Harsh conditions

ZKTeco PTZ cameras could run normally in harsh environment, working temperature range from -10°C ~+50°C with 95% humidity.

## Technical Parameters

### Camera

Model	PS-32A10B	Scanning System	Progressive
Image Sensor	Low light 1080P 1/2.9 inch Sony Sensor	Electronic Shutter	1/25s - 1/50,000s
Lens	10X f=5.1mm~51mm	Min. illumination	Color : 0.1Lux B/W : 0.05Lux (0 Lux when IR on)
		IR Distance	N/A

### Video

Resolution	1080P(1920x1080)	WDR	DWDR
Flip	90°	Day/Night	Auto(ICR)/Color/B/W
Privacy Mask	Up to 4 areas	White Balance	Auto/Manual/Indoor/Outdoor
Baud Rate (RS485)	2400/4800/9600/19200 bps	Gain Control	Auto
BLC	Supported	Noise Reduction	2D & 3D DNR

### Interface

Video Interface	1	Alarm I/O	N/A
RS485	1		

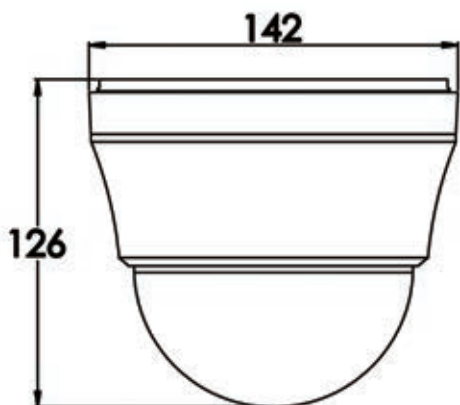
### P/T

Pan/Tilt Range	Pan: 0°~360°, Tilt: 0°~90°	Ingress Protection	N/A
Pan Speed	0~300°/s	Working Environment	-10 C ~+50 C
Tilt Speed	0~200°/s	Power Supply	DC 12V±10%
Preset	128	Lightning Protection	EDS 1500V
Preset Speed	300°/S	OSD Menu	Supported
PTZ Mode	4 Scan, 4 Tour, 4 Pattern	Default Bracket	Pendant mount
Idle Motion	Activate preset/Scan/ Tour if there is no command in specified period	Dimensions	Φ142(mm)×126(mm)
		Net Weight	0.9KG
Protocol	Pelco-D, Pelco-P	Gross Weight	1.4KG

### Ordering Information

Type	Part Number	Description
2MP PTZ Camera	PS-32A10B	2MP HD analog PTZ, 10x

### Dimensions (mm)



### Accessories

Included:



DC 12V±10%  
Power Supply