

# PS-35C10/18J

5MP 10/18x 4 in 1 Analog PTZ



- 1/2.7" 5MP Sensor
- Max 25/30fps@5MP
- AHD/TVI/CVI/CVBS Video Output
- IP66 Rating
- DWDR/BLC/2D&3D Noise Reduction



## System Overview

PS-35C series High speed dome is a range of competitive PTZ with compact design. The series is ideal for entry level choices for SMB solutions, such as buildings, factories, schools which are designed for indoor and outdoor.

With pan speed up to 200°/s, and tilt speed up to 200°/s, promise a large video coverage and secured details. It's equipped with cutting edge IR Array LED of up to 100m and rugged casing rated with IP66.

## Functions

### Advanced 4 in 1 technology

PS-35C series is built in with advanced 4 in 1 technology, it's equipped with UTC chipset on board which could support to adjust HD analog signal output flexibly, such as AHD/TVI/CVI/CVBS. It's the final solution for true plug-n-play to work with any brand of HD analog DVR seamlessly.

### Harsh conditions

ZKTeco PTZ cameras could run normally in harsh environment, working temperature range from -20°C ~ +60°C with 95% humidity.

## Technical Parameters

### Camera

Model	PS-35C10J	PS-35C18J	Scanning System	Progressive
Image Sensor	5MP 1/2.7 inch Sony Sensor		Electronic Shutter	1/12.5s - 1/10,000s
Lens	10X f=5.1mm~51mm	10X f=5.35mm~93.6mm	Min. illumination	Color: 0.1Lux B/W: 0.01Lux (0 Lux when IR on)
			IR Distance	Up to 100 meters

### Video

Resolution	5MP(2600x1944)	WDR	DWDR
Flip	90°	Day/Night	Auto(ICR)/Color/B/W
Privacy Mask	Up to 4 areas	White Balance	Auto
Baud Rate (RS485)	2400/4800/9600/19200 bps	Gain Control	Auto
HLC	Supported	Noise Reduction	2D & 3D DNR

### Interface

Video Interface	1	Alarm I/O	N/A
RS485	Supported		

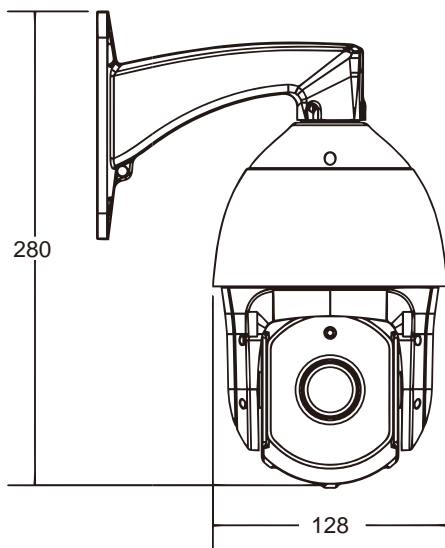
### P/T

Pan/Tilt Range	Pan: 0°~360°, Tilt: 0°~90°	Ingress Protection	IP66
Pan Speed	0~200°/s	Working Environment	-20°C ~+60°C
Tilt Speed	0~200°/s	Power Supply	DC 24V±10%
Preset	128	Lightning Protection	EDS 3000V
Preset Speed	200°/S	OSD Menu	Supported
PTZ Mode	4 Scan, 4 Tour, 4 Pattern	Default Bracket	Wall mount
Idle Motion	Activate Preset/Pan/Scan/Tour/Pattern if there is no command in the specified period	Dimensions	280(mm)×128(mm)
Protocol	Pelco-D, Pelco-P	Net Weight	2.1KG

## Ordering Information

Type	Part Number	Description
5MP PTZ Camera	PS-35C10J	5MP HD analog PTZ, 10x
	PS-35C18J	5MP HD analog PTZ, 18x

## Dimensions (mm)



## Accessories

Included:



Wall Mount



DC 24V±10%  
Power Supply