

# PS-55B10F/18F

5MP 10x/18x Low Light Network PTZ



- 1/2.5" Low Light 5MP Sensor
- Max 25/30fps@5MP Recording
- Support Dual Stream Encoding
- IP66 Rating
- DWDR/BLC/2D&3D Noise Reduction



## System Overview

PS-55B series Medium speed dome is a range of competitive 4 inch mini PTZ with compact design. The series are ideal choices for SMB solutions, such as buildings, factories, schools which are designed for indoor and outdoor.

With pan speed up to 80°/s, and tilt speed up to 40°/s, promise a large video coverage and secured details. It's equipped with cutting edge IR Array LED of up to 80m and rugged casing rated with IP66.

## Functions

### H.265+

Delivering high quality video with up to 70% lower bandwidth.

H.265+ is the optimized evolution of H.265 and traditional H.264.

The Smart H.265+ includes a series of encoding strategy like Dynamic ROI, smart 2D&3D noise reduction etc to save up to 70% bandwidth and storage.

### Harsh conditions

ZKTeco PTZ cameras could run normally in harsh environment, working temperature range from -40°C ~+60°C with 95% humidity.

## Technical Parameters

### Camera

Model	PS-55B10F	PS-55B18F	Scanning System	Progressive
Image Sensor	Low light 5MP 1/2.5 inch Sensor		Electronic Shutter	1/2s - 1/20,000s
Lens	10X f=4.7mm~47mm 18X f=5.4mm~97mm		Min. illumination	Color : 0.1Lux B/W : 0.01Lux (0 Lux when IR on)
			IR Distance	Up to 80 meters

### Video

Video Compression	H.265+/H.265/H.264+/H.264	WDR	DWDR
Resolution	5MP(2592x1944)/1080P(1920x1080) /720P(1280x720)/CIF(352x288/352x240)	Day/Night	Auto(ICR)/Color/B/W
Bit Rate Control	CBR/VBR	White Balance	Auto/Manual/Indoor/Outdoor
Bit Rate	Main stream : 64Kbps~1Mbps Sub stream : 32Kbps~2000Kbps	Gain Control	Auto
Audio Compression	G.711a/G.711u(32Kbps)/PCM(128Kbps)	Noise Reduction	2D & 3D DNR
BLC	Supported	Motion Detection	Supported
		Privacy Mask	Up to 4 areas

### Network

Protocol	RTSP, FTP, SMTP, TCP/IP, UDP, DHCP, RTP, ARP, DNS, DDNS	Max. online User	Main stream : 3 Sub stream : 6
Onvif	Onvif profile S	Web Browser	IE, Chrome, Firefox

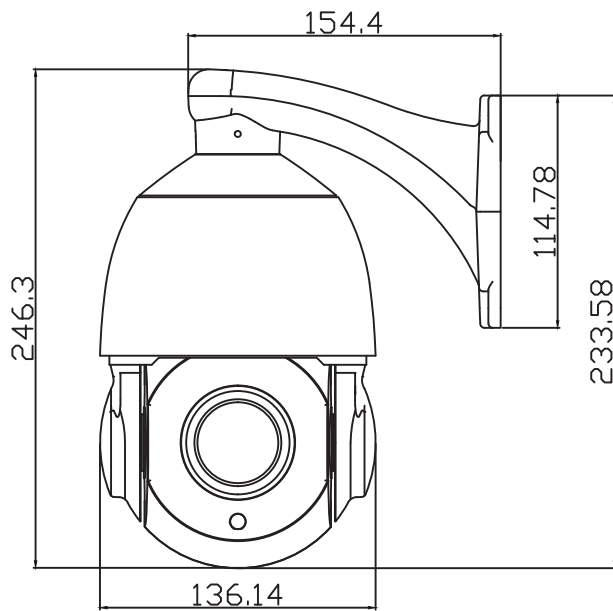
### P/T

Pan/Tilt Range	Pan: 0°~360°, Tilt: 0°~93°	Ingress Protection	IP66
Pan Speed	0~80°/s	Working Environment	-40 °C ~+60 °C
Tilt Speed	0~40°/s	Power Supply	DC 12V3A
Preset	220	Lightning Protection	EDS 6000V
Preset Speed	1-64 optional	OSD Menu	Call 95 preset
PTZ Mode	3 tour, 1 horizontal scan	Default Bracket	Wall mount
Idle Motion	Activate preset/Scan/ Tour if there is no command in specified period	Dimensions	Φ136.14(mm)×246.3(mm)
Protocol	Pelco-D, Pelco-P	Net Weight	1.56KG
		Gross Weight	2.24KG

### Ordering Information

Type	Part Number	Description
5MP PTZ Camera	PS-55B10F	5MP 10x PTZ camera
	PS-55B18F	5MP 18x PTZ camera
Accessories	MT01	Corner mount
	MT02	Pole mount
	PB02	Pendant Mount

### Dimensions (mm)



### Accessories

Included:



Wall Mount



DC12V/3A Power Supply

Optional:



PB02 Pendant Mount



MT02 Pole Mount



MT01 Corner Mount

