

# QR10ML / QR10MX

## USB QR Code Reader



QRM10L



QRM10X



QR10ML / QR10MX are high-performance QR code readers developed independently by ZKTeco. These QR code readers are compact-in-size and could easily read code data from mobiles and printed materials. They can read all available codes with a built-in LED for auxiliary lighting, which has an automatic induction function to read during the day or night without significant impact.

The product adopts an international leading intelligent graphic recognition system with strong recognition ability and fast recognition speed. These readers could reading angle and identification distance.

### Features

- High-speed reading: generally speaking, different factors would affect the performance of a QR code reader, such as contrasts, colors, and reflections commonly found using different LCD screens of mobile phones; QR10ML / QR10MX would not be affected and can identify QR codes quickly
- High-performance reading ability: capable of identifying all general QR codes and bar codes both on mobiles and printed materials
- Powerful processing chip: fast decoding speed and high precision identification
- USB interface: plug and play, high speed of transmission
- QR10M not only has all the functions of the reader, it can also flexibly integrate applications with various products without any accessories.

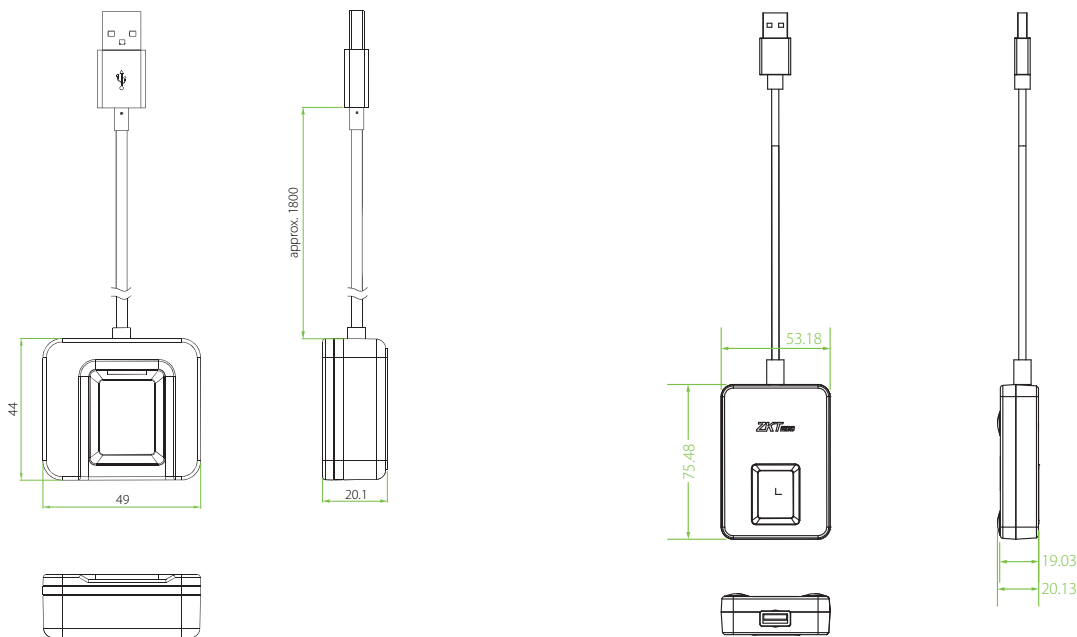
### Specifications

|         |                                 |                       |
|---------|---------------------------------|-----------------------|
| General | Dimensions (L*W*H) QR10ML       | 75.5 * 53.2 * 19 (mm) |
|         | Dimensions (L*W*H) QR10MX       | 49 * 44 * 20.1 (mm)   |
|         | Dimensions of the scanning area | 15.24 * 20.32 (mm)    |

## Specifications

|                             |                            |   |
|-----------------------------|----------------------------|---|
| Hardware Parameters         | Working Voltage            | USB 5V or 3.3V  |
|                             | Working Current            | 200mA   |
|                             | Quiescent Current          | 100mA   |
|                             | Indicator Light            | White Light   |
|                             | Warning Type               | Buzzer  |
|                             | Camera                     | Single-lens camera  |
|                             | ESD                        | Level 2   |
|                             | EMI                        | Grade B   |
|                             | Protection Level           | IP55  |
| Environmental Parameters    | Working Temperature        | 10°C to 50°C  |
|                             | Working Humidity           | 20% to 90%  |
|                             | Storage Temperature        | -40°C to 80°C   |
|                             | Working Pressure           | 86kPa to 106kPa   |
| Scanning                    | Supporting Codes           | All codes, Partially open PDF417, Datamatrix, QR Code, Code49, Code 16K, MicroPDF417, Aztec and etc.  |
|                             | One-dimensional Code Types | UPC-A, UPC-E, UPC-E1, EAN-8, EAN-13, EAN-14, EAN-128, UCC128, ISBN/ISSN, CODE11, CODE32, CODE39, CODE39 Full ASCII, CODE93, CODE128, interleaved 2 of 5, industrial 2 of 5, Matrix 2 of 5, China post code, UK/Plessey, and GS1 |
| Compliance & Certifications | Certifications             | CE, FCC, RoHS   |

## Dimensions (mm)



V2.1 2022.07.12