

Z504/08/16NER

4/8/16 Channel H.265+ Network Video Recorder



Features

- H.265+/H.265/H.264+/H.264 Decoding
- Support 4/8/16CH Preview and Playback
- DHCP, FTP, DNS, DDNS, NTP, UPNP, RTSP etc.
- ONVIF Profile S Compatible
- Cloud Service, P2P
- Mobile phone remote monitoring (iOS, Android)
- Multi-browser access (IE, Chrome, Firefox, Safari)



System Overview

ZKTeco Z500NER series could deliver up to 5MP resolution excellent image over advanced H.265+ decoding.

It's the ideal consideration for the balance of quality, performance and budget.

The friendly GUI provides intuitive shortcut operations, remote control and management, flexible storage, smart search and playback. It's widely used for the government, banking sectors, manufacturers, educational or commercial projects.

Powered by the strong interoperability and Onvif Profile S, it's compatible with plenty of 3rd party IPC or crossing platform VMS.

Functions

Smart Add

Only one click to add all the private IP cameras into NVR like analog system connection, to avoid IP conflict problem.

AntarView

Flexibly and remotely monitor at anytime or anywhere with AntarView APP.

Technical Parameters

Model	Z504NER	Z508NER	Z516NER
-------	---------	---------	---------

System

Processor	Multi-core Embedded Processor
Operation System	Embedded Linux

Display

Interface	1 HDMI, 1 VGA
OSD	Camera Title, Time, Video Loss, Motion Detection, Recording

Video Detection and Alarm

Linkaged Events	Alarm Out, Linkage Record, Snapshot, PTZ Linkage, Tour, Show Message, Buzzer, Send Email, FTP, Upload Cloud, Push Alarm
Motion Detection	MD Zones: 396 (22x18)
Alarm Input	N/A
Alarm Output	N/A

Playback and Backup

Playback Channel	4	8	16
Search Mode	Time/Date, MD and Exact Search, Smart Search		
Playback Function	Play, Pause, Stop, Rewind, Fast Play, Slow Play, Next Camera, Previous Camera, Full Screen, Shuffle, Backup Selection, Digital Zoom		
Backup Mode	USB device/Network		

Interface and Storage

Network Interface	1 RJ-45 port (10/100Mbps)
HDD	1 SATA, up to 10TB capacity for each HDD
USB	2xUSB 2.0

Audio and Video

IPC Input Channel	4	8	16
Two-way Talk	1 Channel Input, 1 Channel Output, RCA		

Recording

Video Compression	H.265+/H.265/H.264+/H.264		
Recording Resolution	5MP/4MP/3MP/1080P/1.3MP/720P etc.		
Incoming Bandwidth	48Mbps	60Mbps	80Mbps
Bitrate	Self-adaptive with IP Camera		
Record Mode	Manual, Schedule, Motion Detection, Video Loss, Privacy Mask, VQD, IVA		

Network

PoE	N/A
Network Protocol	HTTP, TCP/IP, IPV4, UDP, RTSP, DHCP, FTP, PPPOE, NTP, UPnP, P2P, DDNS, SMTP
Max. Online User	20
Mobile App	Antarview (IOS & Android)
Interoperability	Onvif Profile S, SDK

Electrical

Power supply	DC 12V2A
Consumption	7W without HDD

Environmental

Working Temperature	-10℃ ~+55℃
Working Humidity	10~90%

Package

Dimensions	215mmx235mmx45mm
Net Weight	0.9KG
Gross Weight	1.5KG

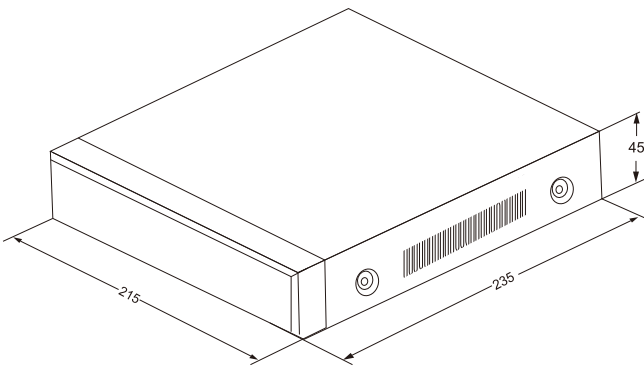
Certifications

CE	EN55032, EN55024, EN61000-3-2, EN61000-3-3
FCC	Part 15 Subpart B, ANSI C63.4-2014

Ordering Information

Type	Part Number	Description
Non PoE NVR	Z504NER	4 channel 1 SATA NVR
	Z508NER	8 channel 1 SATA NVR
	Z516NER	16 channel 1 SATA NVR

Dimensions (mm)



Rear Panel

