

Z508/16NFR

8/16 Channel 4K&H.265+ Network Video Recorder



Features

- H.265+/H.265/H.264+/H.264 Decoding
- Support 8/16CH 4K Resolution Preview and Playback
- Support HDMI up to 4K output
- DHCP, FTP, DNS, DDNS, NTP, UPNP, RTSP etc.
- ONVIF Profile S Compatible
- Cloud Service, P2P
- Mobile phone remote monitoring (iOS, Android)
- Multi-browser access (IE, Chrome, Firefox, Safari)



System Overview

ZKTeco Z500NFR series could deliver up to 4K resolution excellent image over advanced H.265+ decoding.

It's the ideal consideration for the balance of quality, performance and budget.

The friendly GUI provides intuitive shortcut operations, remote control and management, flexible storage, smart search and playback.

It's widely used for the government, banking sectors, manufacturers, educational or commercial projects.

Powered by the strong interoperability and Onvif Profile S, it's compatible with plenty of 3rd party IPC or crossing platform VMS.

Functions

Up to 4K (3840 x 2160) Resolution Preview or Playback

IVA (Intelligent Video Analysis) supported, it allows to detect multiple object behaviors, like tripwire, intrusion, objects missing or abandoned etc.

Smart Add

Only one click to add all the private IP cameras into NVR like analog system connection, to avoid IP conflict problem.

AntarView

Flexibly and remotely monitor at anytime or anywhere with AntarView APP.

Technical Parameters

| | | |
|------------------|-------------------------------------------------------------|---------|
| Model | Z508NFR | Z516NFR |
| System | | |
| Processor | Multi-core Embedded Processor | |
| Operation System | Embedded Linux | |
| Display | | |
| Interface | 1 HDMI,1 VGA | |
| OSD | Camera Title, Time, Video Loss, Motion Detection, Recording | |

Video Detection and Alarm

| | |
|------------------|-------------------------------------------------------------------------------------------------------------------------|
| Linkaged Events | Alarm Out, Linkage Record, Snapshot, PTZ Linkage, Tour, Show Message, Buzzer, Send Email, FTP, Upload Cloud, Push Alarm |
| Motion Detection | MD Zones: 396 (22x18) |
| Alarm Input | 8 channel Input |
| Alarm Output | 4 channel Output |

Playback and Backup

| | | |
|-------------------|-------------------------------------------------------------------------------------------------------------------------------------|----|
| Playback Channel | 8 | 16 |
| Search Mode | Time/Date, MD and Exact Search, Smart Search | |
| Playback Function | Play, Pause, Stop, Rewind, Fast Play, Slow Play, Next Camera, Previous Camera, Full Screen, Shuffle, Backup Selection, Digital Zoom | |
| Backup Mode | USB device/Network | |

Interface and Storage

| | |
|-------------------|------------------------------------------|
| Network Interface | 1 RJ-45 port (10/100Mbps) |
| HDD | 2 SATA, up to 10TB capacity for each HDD |
| USB | 2xUSB 2.0 |

Audio and Video

| | | |
|-------------------|----------------------------------------|----|
| IPC Input Channel | 8 | 16 |
| Two-way Talk | 1 Channel Input, 1 Channel Output, RCA | |

Recording

| | | |
|----------------------|------------------------------------------------------------------------|--------|
| Video Compression | H.265+/H.265/H.264+/H.264 | |
| Recording Resolution | 8MP/6MP/5MP/4MP/3MP/1080P/1.3MP/720P etc. | |
| Incoming Bandwidth | 64Mbps | 96Mbps |
| Bitrate | Self-adaptive with IP Camera | |
| Record Mode | Manual, Schedule, Motion Detection, Video Loss, Privacy Mask, VQD, IVA | |

Network

| | |
|------------------|-----------------------------------------------------------------------------|
| PoE | N/A |
| Network Protocol | HTTP, TCP/IP, IPV4, UDP, RTSP, DHCP, FTP, PPPOE, NTP, UPnP, P2P, DDNS, SMTP |
| Max. Online User | 20 |
| Mobile App | Antarview (iOS & Android) |
| Interoperability | Onvif Profile S, SDK |

Electrical

| | |
|--------------|----------------|
| Power supply | DC 12V3.3A |
| Consumption | 6W without HDD |

Environmental

| | |
|---------------------|------------|
| Working Temperature | -10℃ ~+55℃ |
| Working Humidity | 10~90% |

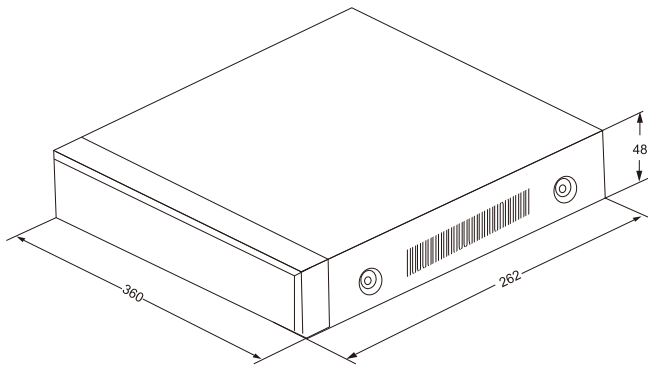
Package

| | |
|--------------|------------------|
| Dimensions | 360mmx262mmx48mm |
| Net Weight | 2.3KG |
| Gross Weight | 3.58KG |

Ordering Information

| Type | Part Number | Description |
|-------------|-------------|-----------------------|
| Non PoE NVR | Z508NFR | 8 channel 2 SATA NVR |
| | Z516NFR | 16 channel 2 SATA NVR |

Dimensions (mm)



Rear Panel

