

Z8516/32NFR | Z8000NVR series

16/32-Channel 4K&H.265+ Network Video Recorder



Features

- H.265+/H.265/H.264+/H.264 Decoding
- Support 16/32CH 4K Resolution Preview and Playback
- Support HDMI up to 4K output
- DHCP, FTP, DNS, DDNS, NTP, UPNP, RTSP etc.
- ONVIF Profile S Compatible
- Cloud Service, P2P
- Mobile phone remote monitoring (iOS, Android)
- Multi-browser access (IE, Chrome, Firefox, Safari)



System Overview

ZKTeco Z8000NFR series could deliver up to 4K resolution excellent image over advanced H.265+ decoding. It's the ideal consideration for the balance of quality, performance and budget.

The friendly GUI provides intuitive shortcut operations, remote control and management, flexible storage and playback. It's widely used for the government, banking sectors, manufacturers, educational or commercial projects.

Powered by the strong interoperability and Onvif Profile S, it's compatible with plenty of 3rd party IPC or crossing platform VMS.

Functions

Up to 4K Resolution Preview or Playback

IVA (Intelligent Video Analysis) supported, it allows detecting multiple object behaviors, like target counting, tripwire, intrusion, objects left/missing.

HDD Quota

Flexibly assign the specified channels to be recorded in the appointed HDD.

AntarView Pro

Flexibly and remotely monitoring at anytime or anywhere with AntarView Pro APP.

Technical Parameters

Model	Z8516NFR	Z8532NFR
-------	----------	----------

System

Processor	Multi-core Embedded Processor
Operation System	Embedded Linux

IVA Alarm

Local IVA Functions	Target Counting, Object Detection, Intrusion, Tripwire
Regular Detection	Motion Detection/Video Tampering/Video Loss

I/O Port and Storage

Network Interface	1 RJ-45 port(10/100Mbps)
USB	2*USB 2.0
HDMI	1*4K HDMI
VGA	1*VGA
Alarm Input	N/A
Alarm Output	N/A
HDD	2 SATA, up to 8TB capacity for each HDD
RAID	N/A

Playback and Backup

Playback Channel	16
Search Mode	IVA Search/Time/Motion Detection
Playback Function	Play, Stop, Play forward, Play backward, 30 seconds forward, 30 seconds backward, Fast play, Slow play, Single frame play, Hide/Show the time bar, Backup, Snapshot, Full screen
Backup Mode	USB device/Network

Video/Audio

Max. IPC Input	16	32
Audio Compression	G.711a	
Two-way Talk	N/A	

Recording

Video Compression	H.265+/H.265/H.264+/H.264
Recording Resolution	8MP/5MP/3MP/1080P/960P/720P
Incoming Bandwidth	80Mbps
Bitrate	16K-8Mbps
Record Mode	Manual/External Alarm/ Motion/Scheduled/IVA Alarm

Network

Network Protocol	TCP/IP, HTTP, DDNS, SMTP(SSL), DHCP, PPPoE, UPnP, NTP, P2P
Max. Online User	5
Mobile App	AntarView Pro
Interoperability	Onvif Profile S, SDK

Power

Power supply	DC12V 3A
Consumption	≤20W(Without HDD)

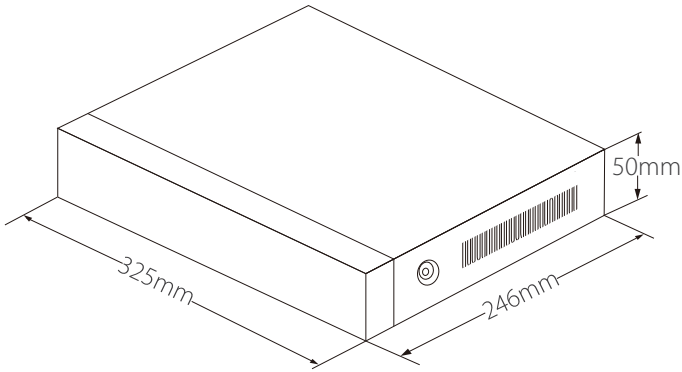
General

Working Temperature	-10 C ~+55 C
Working Humidity	10~90%
Dimensions	325mm*246mm*50mm
Net Weight	3KG
Gross Weight	3.5KG

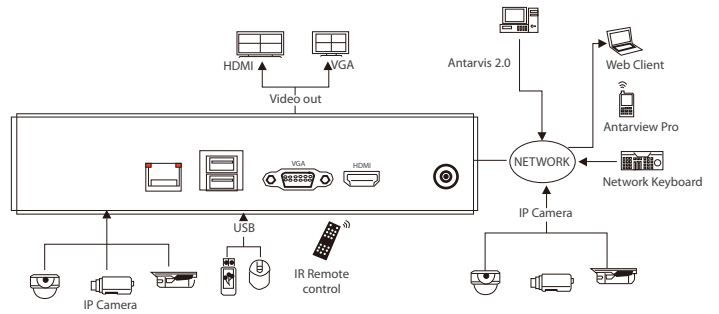
Ordering Information

Type	Part Number	Description
Non PoE NVR	Z8516NFR	16 channel 2 SATA NVR
	Z8532NFR	32 channel 2 SATA NVR

Dimensions (mm)



Rear Panel



More details