

# Z8536/64NHR | Z8000NHR series

## 36/64-Channel 4K&H.265+ Network Video Recorder



### Features

- H.265+/H.265/H.264+/H.264 Decoding
- Support 36/64CH 4K Resolution Preview and Playback
- Support HDMI up to 4K output
- DHCP, FTP, DNS, DDNS, NTP, UPNP, RTSP etc.
- ONVIF Profile S Compatible
- Cloud Service, P2P
- Mobile phone remote monitoring (iOS, Android)
- Multi-browser access (IE, Chrome, Firefox, Safari)



## System Overview

ZKTeco Z8000NHR series could deliver up to 4K resolution excellent image over advanced H.265+ decoding. It's the ideal consideration for the balance of quality, performance and budget.

The friendly GUI provides intuitive shortcut operations, remote control and management, flexible storage and playback. It's widely used for the government, banking sectors, manufacturers, educational or commercial projects.

Powered by the strong interoperability and Onvif Profile S, it's compatible with plenty of 3rd party IPC or crossing platform VMS.

## Functions

### Up to 4K Resolution Preview or Playback

IVA (Intelligent Video Analysis) supported, it allows detecting multiple object behaviors, like target counting, tripwire, intrusion, objects left/missing.

### HDD Quota

Flexibly assign the specified channels to be recorded in the appointed HDD.

### AntarView Pro

Flexibly and remotely monitoring at anytime or anywhere with AntarView Pro APP.

## Technical Parameters

Model	Z8536NHR	Z8564NHR
-------	----------	----------

### System

Processor	Multi-core Embedded Processor
Operation System	Embedded Linux

### IVA Alarm

Local IVA Functions	Target Counting, Object Detection, Intrusion, Tripwire
Regular Detection	Motion Detection/Video Tampering/Video Loss

### I/O Port and Storage

Network Interface	2 RJ-45 port(100/1000Mbps)
USB	1*USB 2.0, 1*USB 3.0
HDMI	1*4K HDMI
VGA	1*VGA
Alarm Input	4
Alarm Output	4
HDD	9 SATA, up to 8TB capacity for each HDD
RAID	Raid 0/1/5/6/10

### Playback and Backup

Playback Channel	16
Search Mode	IVA Search/Time/Motion Detection
Playback Function	Play, Stop, Play forward, Play backward, 30 seconds forward, 30 seconds backward, Fast play, Slow play, Single frame play, Hide/Show the time bar, Backup, Snapshot, Full screen
Backup Mode	USB device/Network

### Video/Audio

Max. IPC Input	36	64
Audio Compression	G.711a	
Two-way Talk	1 Channel Input, 1 Channel Output, RCA	

### Recording

Video Compression	H.265+/H.265/H.264+/H.264	
Recording Resolution	8MP/5MP/3MP/1080P/960P/720P	
Incoming Bandwidth	216Mbps	512Mbps
Bitrate	16K-32Mbps	
Record Mode	Manual/External Alarm/Motion/Scheduled/IVA Alarm	

### Network

Network Protocol	TCP/IP, HTTP, DDNS, SMTP(SSL), DHCP, PPPoE, UPnP, NTP, P2P
Max. Online User	5
Mobile App	AntarView Pro
Interoperability	Onvif Profile S, SDK

### Power

Power supply	ATX (AC100~240V)
Consumption	35W(Without HDD)

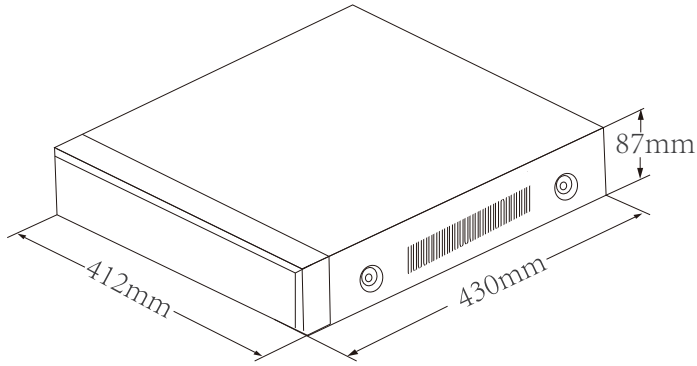
### General

Working Temperature	-10 C ~+55 C
Working Humidity	10~90%
Dimensions	412mm*430mm*87mm
Net Weight	7KG
Gross Weight	7.5KG

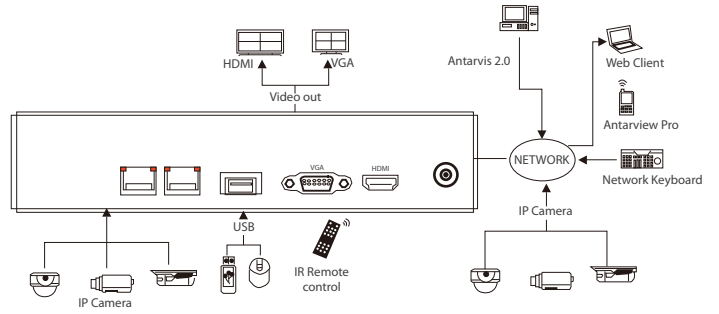
Ordering Information

Typ	Part Number	Description
Non PoE NVR	Z8536NHR	36 channel 9 SATA NVR
	Z8564NHR	64 channel 9 SATA NVR

Dimensions (mm)



Rear Panel



More details