

User Manual

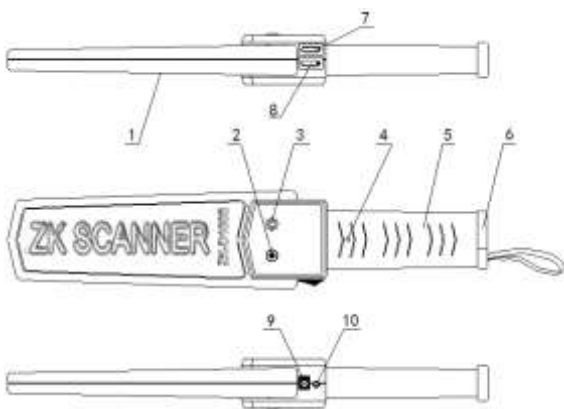
Hand Held Metal Detector: ZK-D100S

Version: 1.0

Date: Sep. 2016

Introduction

It is a high performance Handheld Metal Detector, which is designed to meet the exact requirements of the security industry. Typical uses will include body search for offensive weapons in crowd control, airport and border security, checking parcels and letters for metal objects and anywhere that hidden metal needs to be detected.



1. Detection Face
2. LED (Green/Red Color)
3. Audio Alert
4. Sensitivity Adjuster
5. Handle
6. Battery cover
7. Low Sensitivity Switch
8. On/Off Switch
9. Rechargeable Battery and earphone socket
10. Vibrator Button

Operation

- It operates on one 9V standard or rechargeable battery. To install the battery, slide off the battery

cover and place the battery into its compartment while matching the + / - symbols.

- Power ON: Turn the unit on by pushing the ON/OFF switch until it clicks on, the green LED is lit, the detector is operational.

- Sensitivity Adjusting:

[Increase sensitivity] Turning the sensitivity adjuster anti-clockwise until the red LED is lit and a constant audio tune is heard. Turn the sensitivity adjuster clockwise until the red LED just goes out and the tone fades (green LED on). The detector is now tuned for optimum sensitivity and depth range.

- Holding the unit with the detection face towards the surface, sweep backwards and forwards continuously at a height of 10-30mm above the area to be scanned.
- The presence of metal will be indicated by the audio warning tone and the red light coming on. If the detector is held still over a metal object the detection signal will automatically reduce, therefore it is important that the unit is continually scanning the surface when it is in use.

Performance

The sensitivity of the detector is determined primarily by the size, shape and material of the detected objects.

Typical performance figures are given below:

Maximum Detection Range

Object	Low Sensitivity (CM)	Optimum Sensitivity (CM)
38 Caliber hand gun	15	20
Knife	10	15
Razor Blade	5	10

Low Sensitivity Operation

Press the low sensitivity switch during detection, scanner will then only respond to bigger metal objects such as a gun, knife, etc. And will not respond to small metals such as a coin, key, hatpin, etc. Do not release the low sensitivity switch until you complete low sensitivity detection.

Rechargeable Battery Socket

- You may use a 9V rechargeable battery to power the detector.
- It takes four to six hours to fully charge the battery. The battery charger socket is located at the side of the detector.

Note: Turn off the detector when charging it.

Vibrator Button

The detector is equipped with a vibrator button also

located at the side of the detector. Vibration function should be used in noisy work situations or in places where the operator does not wish for the audio tune to be heard in his surrounding area. Press this button, vibrator works; release it, audio tune works.

Note

1. If the unit is not to be used for a certain length of time, it is advisable to remove the battery to avoid battery leakage with could cause serious damage to the detector.
2. If the green light goes out completely, or fails to come on, or if the unit is making unfamiliar audio tunes, the unit is unstable and should not be used until the battery is recharged or replaced.
3. When not in use, the detector should be stored in a dry warm environment.

Specification

Power Voltage: 9V Standard or Rechargeable Battery

Power: 270mW

Operating Current: <50mA

Operating Voltage: 7V-9V

Operating Temperature: -20 °C ~ +55 °C

Net Weight: 400g

Dimensions (mm): 410(L) * 85(W) * 45(H)

Waterproof: IP31

Alarm Sound (A): ≥ 75 dB

