

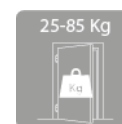
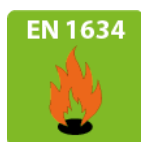
ZKDC1

Door closer for standard doors

ZKDC1 Door closer is the most economical solution for standard doors. It is provided with an closing system in two phases for a soft closing and its finish offers an optimum rust protection.

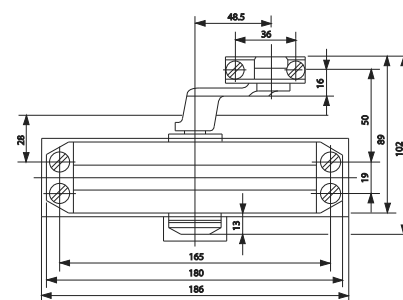
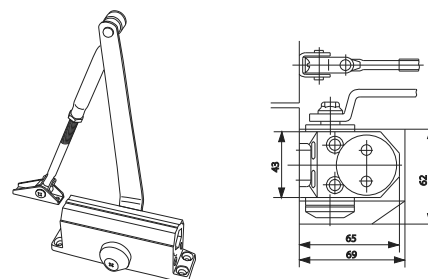


- Fire rated
- CE Certified
- Power level 2-4
- Door width from 850 to 1100 mm
- Door weight from 25 to 85 Kg



Technical Features

| | |
|---|----------------------------------|
| Closing force | EN 2-4 |
| Door Width | 850-1100 mm |
| Door Weight | 25-85 kg |
| Fire Rated | EN-1634 |
| Symmetrical | YES |
| Design style | Residential and commercial doors |
| Standard installation | YES |
| Arm parallel installation | YES |
| Top jamb installation | YES |
| Regulable speed closing through adjustments | YES |
| Material | Aluminium body. Steel arm |
| Length of hole horizontal mounting | 166 mm |
| Length of hole vertical mounting | 19 mm |
| Open dampening | Optional |
| Sliding arm | NO |
| Delaying close | NO |
| Cycles tested | 500.000 (EN-1154) |
| Fixation | Optional |



EN1

EN2

EN3

EN4

EN5

EN6

HOLDING

SLIDING ARM

ZKDC1

